

## Vortex Flowmeter

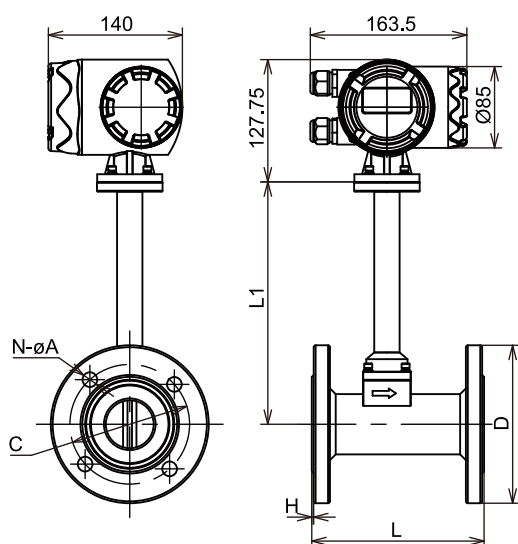
### Performance feature

The Vortex flowmeter is a velocity flowmeter produced according to the Karman vortex principle, which can be used for the measurement of conventional gases, steam and liquids. The vortex flow sensor has high accuracy, a wide range ratio and has no moving parts in use, which can improve mechanical stability and reduce maintenance.



Diameter	DN15 to DN300
Material body	Stainless Steel SS304 / SS316
Material flange	Stainless Steel SS304 / SS316
Accuracy	+/- 1% full scale
Environment temp.	-25 °C to 80 °C
Working temp.	-20 °C to 60 °C (steam -25 °C to +250 °C)
Working pressure	PN10 to PN40
Output	4-20 mA / pulse / RS485
Power supply	220V AC / DC 24 V
Installation	compact or remote
Measuring medium	Liquids / air / general gas / steam
Measuring flowrate	Liquids 0.3 m <sup>3</sup> /h - 2000 m <sup>3</sup> /h Air/general gas/ steam: 3 m <sup>3</sup> /h - 18000 m <sup>3</sup> /h

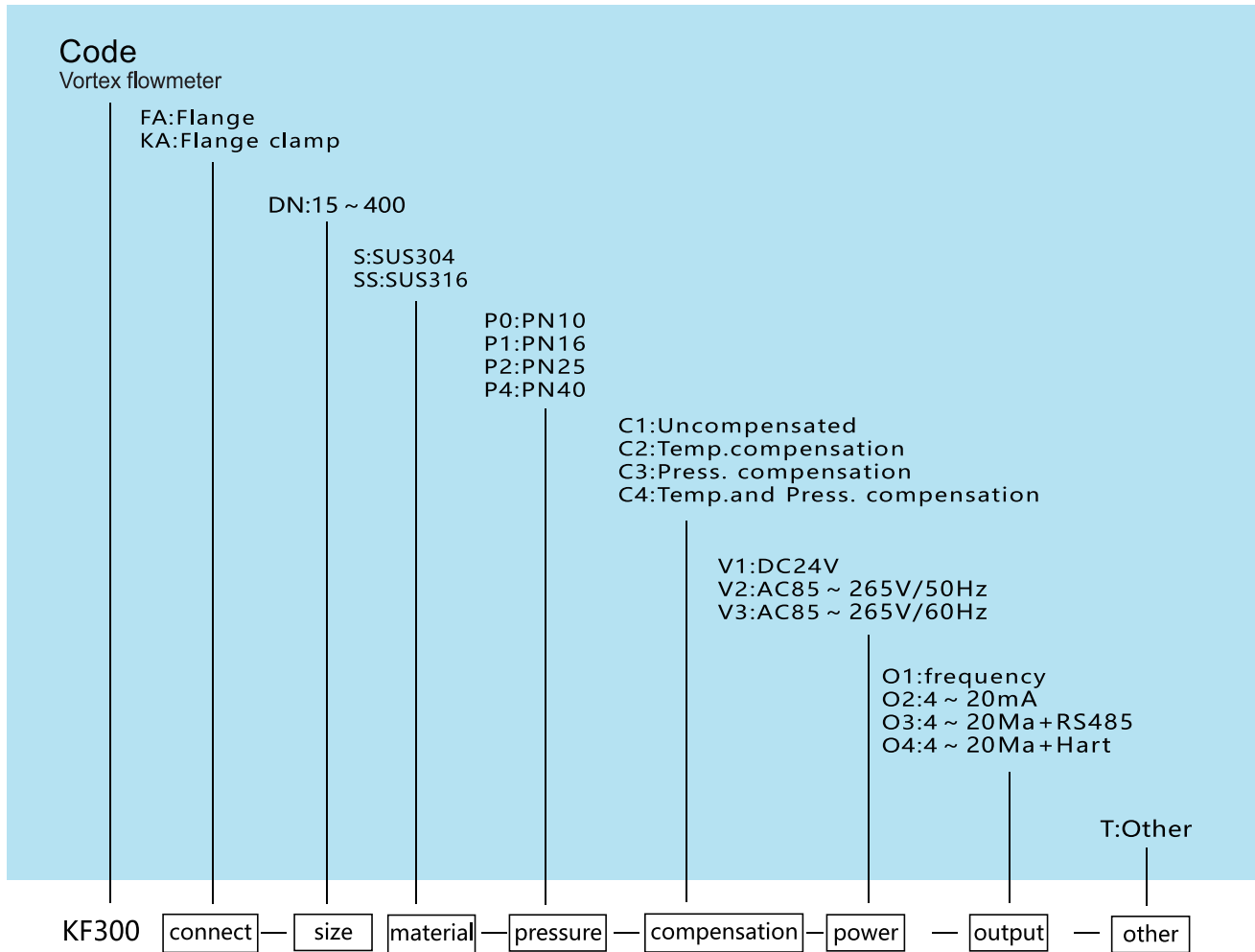
### External dimensions



DN size	L mm	L1 mm	D mm	C mm	N-φ A mm
DN15	180	233	95	65	4-φ 14
DN20	180	235	105	75	4-φ 14
DN25	180	238	115	85	4-φ 14
DN32	180	240	140	100	4-φ 18
DN40	180	245	150	110	4-φ 18
DN50	180	250	165	125	4-φ 18
DN65	200	258	185	145	8-φ 18
DN80	200	265	200	160	8-φ 18
DN100	200	275	220	180	8-φ 18
DN125	220	288	250	210	8-φ 18
DN150	220	300	285	240	8-φ 22
DN200	220	325	340	295	8-φ 22
DN250	250	350	395	350	12-φ 22
DN300	300	375	445	400	12-φ 22

## Vortex Flowmeter

### How to order



## Vortex Flowmeter

### Range of flow

DN size mm	Flow range(m <sup>3</sup> /h)	
	liquid	air/general gas/steam
15	0.3-5	3~15
20	0.6-10	6-30
25	1.2-16	8-55
32	1.8-20	10-120
40	2-40	27-205
50	3-60	35-380
65	4-85	60-640
80	6.5-130	86-1100
100	15-200	133-1700
125	20-350	150-2000
150	30-450	347-4000
200	45-800	560-8000
250	65-1250	890-11000
300	95-2000	1360-18000
(300)	100-1500	1560~15600
(400)	180-3000	2750-27000
(500)	300~4500	4300~43000
(600)	450-6500	6100-61000
(800)	750~10000	11000-110000
(1000)	1200-17000	17000-170000
>(1000)		