

Mini Electromagnetic Flowmeter

Performance features

The EsuMag mini KF700M series is an electromagnetic flowmeter for low flows without any moving parts. It is an alternative of paddle wheel flowmeters when measuring waste water or dirty liquids. The flowmeter is available with and without display.

Diameter	DN2 to DN25
Electrodes	316L
Medium conductivity	$\geq 5 \mu\text{s/cm}$
Accuracy	$\pm 0.5\% \text{ RS}$ (higher accuracy on request)
Velocity of flow	0.3 m/s to 10 m/s F.S. (full scale)
Working temp.	-10°C to +60°C
Working pressure	0.6 MPa to 1.0 MPa
Protection	IP67
Output signal	Pulse / Frequency / 4-20 mA
Power	24 VDC
Installation	Compact or remote with LCD
Body material	Aluminum
Liner material	PSU (Polysulfone)

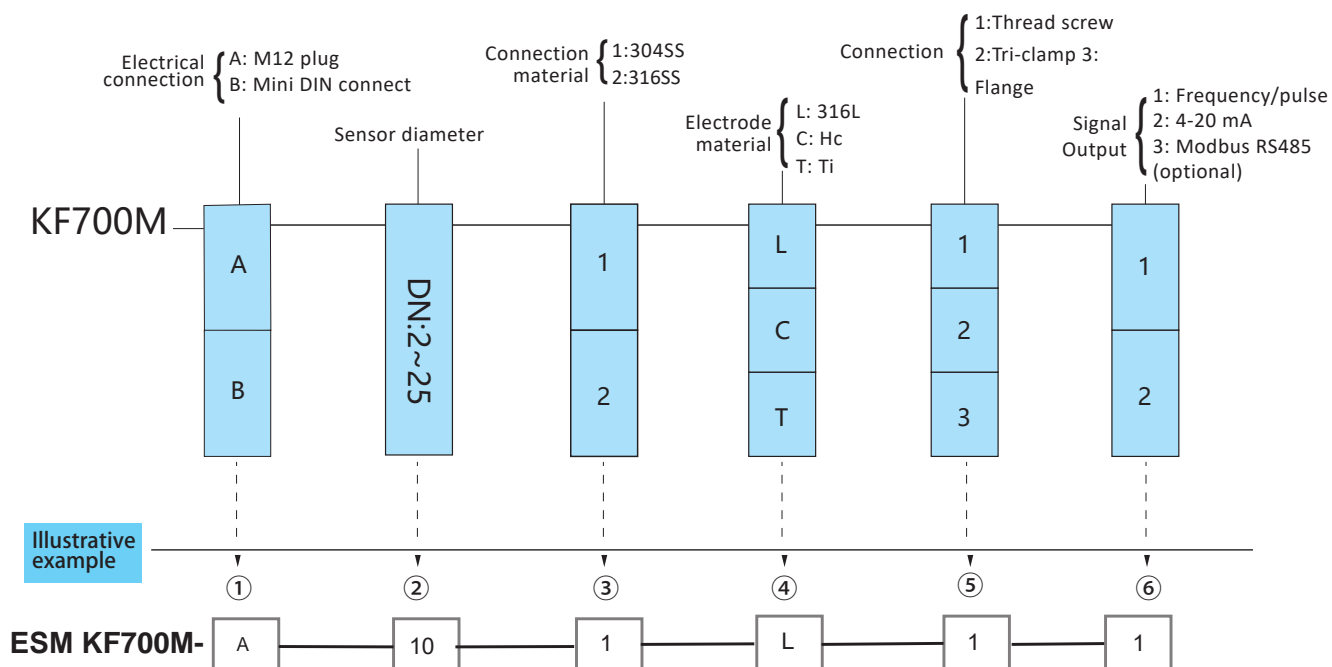
EsuMag Mini with display:



EsuMag Mini without display



How to order



* Remark: For remote type, please specify the cable length(Standard is 8 m).

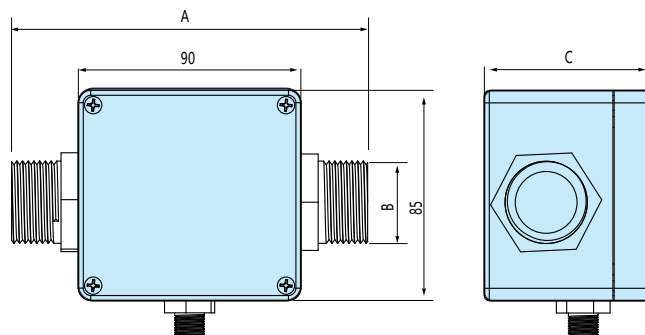
Mini Electromagnetic Flowmeter

Range of flow

Unit : L/min

DN (mm)	Flow range		Male (BSP)
	Standard	Special	
2	0.1~1	0.1~2	3/8"
3	0.2~2	0.2~4	3/8"
4	0.4~4	0.4~8	3/8"
6	0.8~8	0.8~16	3/8"
8	1.5~15	1.5~30	1/2"
10	2~20	2~40	1/2"
15	5~50	5~100	1/2"
20	9~90	9~180	3/4"
25	15~150	15~300	1"

External dimensions



External dimensions Unit : mm

DN	A	B (BSP)	C
2	130	3/8"	67.5
3	130	3/8"	
4	130	3/8"	
6	130	3/8"	
8	150	1/2"	
10	150	1/2"	
15	150	1/2"	
20	150	3/4"	
25	160	1"	