



ELIS PLZEŇ a. s.

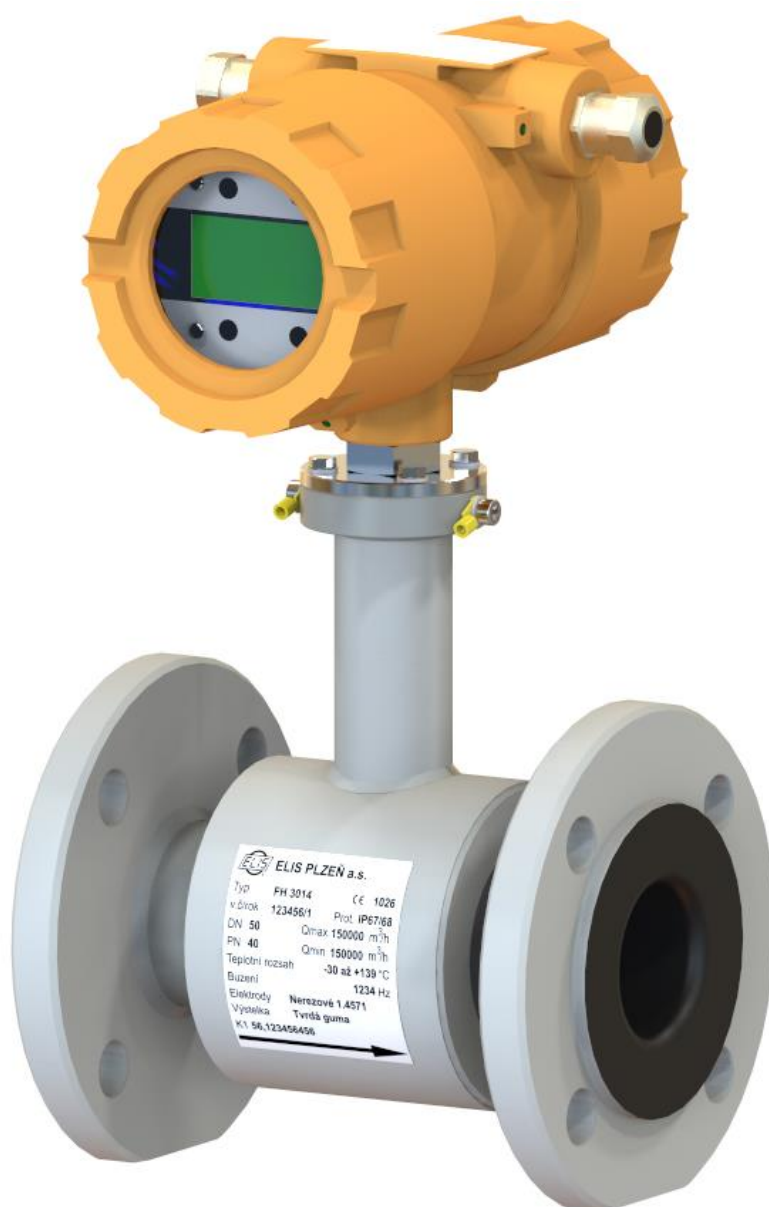
Project design, installation and service manual


Electromagnetic flowmeter FLONET FH30xx

Page 1 of 72

Electromagnetic flowmeter


FLONET FH30xx




 ELIS PLZEŇ a. s.	Project design, installation and service manual	Page 2 of 72
	Electromagnetic flowmeter FLONET FH30xx	

Content


1	BASIC INFORMATION	5
1.1	Application	5
1.3	Meter properties and functions	6
1.4	Important user information	6
1.4.1	<i>Safety instructions</i>	6
1.4.2	<i>Liability</i>	6
1.5	Product warranty	7
1.6	Representations and certificates	7
2	METER IDENTIFICATION	8
2.1	FLONET FH30xx flowmeter type designation	8
2.2	Scope of delivery	8
2.2.1	<i>Compact meter version FLONET FH30x4</i>	8
2.2.2	<i>Remote meter version FLONET FH30x5</i>	8
2.3	Associated documents	9
2.4	Flowmeter rating plates	9
2.4.1	<i>Main meter plate</i>	9
2.4.2	<i>Transmitter plate</i>	9
2.4.3	<i>Sensor plate</i>	10
3	METER DESIGN AND MATERIAL VERSIONS	10
3.1	Compact and remote meter versions	10
3.2	Operating pressure of the measured fluid	12
3.3	Sensor dimensions	14
3.4	Sensor lining	16
3.5	Electrode materials	16
3.6	Sensors for flowmeters FLONET FH30xx; review of sensor design and material versions	17
4	INSTALLATION	18
4.1	Taking over	18
4.2	Meter handling	18
4.3	Storage	18
4.4	Installation conditions	19
4.4.1	<i>General principles</i>	19
4.4.2	<i>Straight piping sections</i>	19
4.4.3	<i>Suppression of the pump effects</i>	20
4.4.4	<i>Suppression of the effects of closing valves</i>	21
4.4.5	<i>Suppression of vibration effects</i>	21
4.4.6	<i>Piping stacks</i>	22
4.4.7	<i>Sensor flooding</i>	22
4.4.8	<i>Free discharge points</i>	22
4.5	Tightening torque	23
4.6	Thermal insulation	26
4.7	Flowmeter heating	26

 ELIS PLZEŇ a. s.	Project design, installation and service manual	Page 3 of 72
	Electromagnetic flowmeter FLONET FH30xx	

5 ELECTRICAL CONNECTIONS.....	26
5.1 Transmitter.....	26
5.1.1 Terminal box.....	26
5.1.2 Excitation circuit.....	27
5.1.3 Signal cables.....	27
5.2 Sensor connection box.....	29
5.3 Power and information cables.....	29
5.4 Cable placement.....	30
5.5 Power supply specifications.....	30
5.6 Input and output connections.....	30
5.6.1 Multifunction outputs OUT1, OUT2.....	30
5.6.2 Current output 4 to 20mA.....	32
5.6.3 Communication interfaces.....	34
5.6.3.1 Communication interface RS-485 MODBUS RTU.....	34
5.7 Grounding and potential equalising.....	355
6 METER COMMISSIONING.....	37
6.1 Check on electrical connections.....	37
6.2 Check on meter housing tightness.....	37
6.3 Check on the installed meter.....	37
6.4 Check on the meter operation conditions.....	38
7 OPERATION.....	38
7.1 Meter energising.....	38
7.1.1 Display status.....	38
7.2 Front panel and control buttons.....	38
7.2.1 Display.....	38
7.2.2 Control button functions.....	38
7.3 Flowmeter control.....	39
7.3.1 Manual control.....	39
7.3.1.1 Basic screen.....	39
7.3.1.2 Control menu structure.....	Chyba! Záložka není definována.
7.3.1.3 Main menu.....	41
7.3.2 Remote meter control using the FLOSET 4.0 program.....	43
7.3.2.1 Communication interface MODBUS RTU.....	43
8 TECHNICAL DATA.....	44
9 CALIBRATION.....	47
9.1 General.....	47
9.2 Reference conditions.....	47
9.3 Measurement accuracy.....	47
9.3.1 Flowmeter FLONET FH30xx – standard measurement accuracy.....	47
9.3.2 Flowmeter FLONET FH30xx – increased measurement accuracy.....	49
10 METER DESIGN DETAILS.....	49
10.1 Transmitter.....	49
10.2 Sensor.....	49

 ELIS PLZEŇ a. s.	Project design, installation and service manual	Page 4 of 72
	Electromagnetic flowmeter FLONET FH30xx	

10.3	Cable gland sizes.....	50
10.4	Company seals	50
10.5	Dimensions and weight.....	51
10.5.1	<i>Sensor</i>	51
10.5.1.1	Flanges according to EN 1092-1	51
10.5.1.2	Flanges according to ASME B16.5.....	52
10.5.1.3	Wafer sensor	53
10.5.2	<i>Transmitter</i>	54
10.5.2.1	Transmitter for compact meter version	54
10.5.2.2	Transmitter for remote meter version – sensor protection class IP 67.....	54
10.5.2.3	Transmitter for remote meter version – sensor protection class IP 68.....	55
10.5.3	<i>Sensor connection box</i>	55
11	FLOWMETER FAULTS	56
11.1	General rules	56
11.2	Spare PC boards and components.....	56
11.3	Software and simulation devices.....	56
11.4	Fault identification.....	57
11.5	Meter repair procedures.....	58
12	MAINTENANCE.....	61
13	SERVICES	61
14	WARRANTY	61
14.1	Warranty services	61
14.2	Post-warranty services.....	62
15	ORDER NUMBER.....	63
16	ASSOCIATED DOCUMENTS AND STANDARDS.....	70
17	ANNEXES	71
17.1	Representation on meter decontamination	71

 ELIS PLZEŇ a. s.	Project design, installation and service manual	Page 5 of 72
	Electromagnetic flowmeter FLONET FH30xx	

1 BASIC INFORMATION

1.1 *Application*

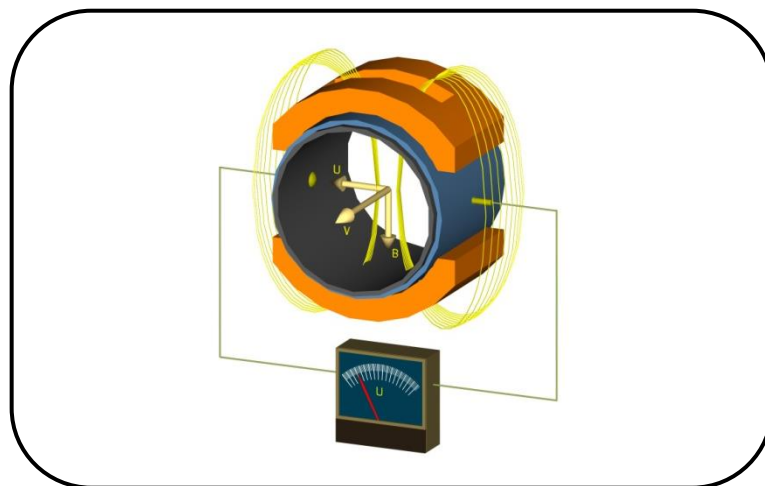
FLONET FH30xx is an electromagnetic flowmeter intended for measurement of volume flow rate of electrically conductive liquids in closed piping. The meter facilitates high-accuracy bi-directional flow rate measurements at flow velocities ranging from 0.025 to 10 m/s. The minimum required conductivity of the measured fluid is 10 $\mu\text{S}/\text{cm}$, for de-mineralised water it is 20 $\mu\text{S}/\text{cm}$.

1.2. Measurement principle


The function of electromagnetic flowmeter is based on the Faraday induction law. The meter sensor consists of a non-magnetic electrically non-conductive tube and two inbuilt electrodes that pick up the induced voltage in a plane perpendicular to the direction of the magnetic power lines. The magnetic field is generated by electric current flowing through two coils wound on the tube. The flow of the conductive liquid through the tube gives rise to induced voltage **U** proportional to the magnetic flux density **B**, flow velocity **v** and the length of the virtual conductor **l**:

$$U = B \times l \times v$$

- U** induced voltage
- B** flux density
- l** distance between the measuring electrodes
- v** flow velocity of the measured liquid



For the given sensor size, the values of flux density and distance between electrodes are constant. Therefore, the voltage induced on the electrodes is proportional to the velocity of the liquid flowing through the sensor tube. The volume flow rate is then the product of the liquid flow velocity and the tube cross-section: $Q = v \times S$.

 ELIS PLZEŇ a. s.	Project design, installation and service manual	Page 6 of 72
	Electromagnetic flowmeter FLONET FH30xx	

1.3 Meter properties and functions

The functions of the meter transmitter include visualisation of the measured values and, using the associated control push-buttons, setting of the operational meter parameters.

Main flowmeter functions:

- Bi-directional measurements of:
 - volume flow rate;
 - aggregate fluid volume passed through the meter sensor;
- Archiving of the measured data and information on specific operational events;
- Checking on sensor flooding condition.

Flowmeter interface facilities:

- Two binary outputs, one current output
- Communication interface RS-485 MODBUS RTU

1.4 Important user information

Electromagnetic flowmeters of the FLONET FH30xx type series are manufactured and tested in accordance with the applicable international regulations and standards. To ensure successful meter commissioning and meeting the specified metrological parameters, the user shall duly observe all directions and recommendations given in the product manual.


1.4.1 Safety instructions

- Prior to any meter handling, the user and/or the meter installation staff shall get acquainted with the meter documentation.
- When connecting the flowmeter to the power supply, due attention shall be paid to the applicable national regulations and standards with special regard to the issues of labour safety and health protection.
- The meter installation, electrical connection and commissioning work shall be performed by suitably qualified operators.
- It is essential to observe all conditions and instructions given in the product manual regarding the meter installation and electrical connection, and to pay due attention to all warning labels.
- Should the product show signs of incorrect function, the user shall not attempt to dismantle the meter. Any repair work is reserved to the meter manufacturer or their duly authorised partners. When sending a meter for repair, make sure to attach representation on decontamination as of Chapter 17 (ANNEX) hereof (see page 71).
- The key meter parts are protected against dismantling by company seals. Should any such seal be broken, the customer will forfeit their right to claim free warranty services.

1.4.2 Liability

ELIS PLZEŇ a.s., the manufacturer of flowmeters for liquids, delivers its products in the highest possible quality. All products developed by ELIS PLZEŇ are part of intellectual property of the company and are a subject of copyrights. The same rights also apply to the documents delivered together with the product. It is forbidden to supplement, amend or otherwise alter documents without prior consent of ELIS PLZEŇ a.s. Any infringement of the aforementioned intellectual property is punishable.

The documents delivered with the product are meant for familiarizing with the product itself and with the conditions of its use and installation. All flowmeter users are obliged to get familiar in detail with these

 ELIS PLZEŇ a. s.	Project design, installation and service manual	Page 7 of 72
	Electromagnetic flowmeter FLONET FH30xx	

documents and follow manufacturer's instructions as described therein. Following the above mentioned instructions will prevent the loss of warranty for reasons of incorrect installation and misapplication.

Installation of this flowmeter shall be performed only by a company trained for this purpose by ELIS PLZEŇ a.s. Such a company, after receiving the training, shall be fully responsible for the correct installation and commissioning. ELIS PLZEŇ a.s. bears no responsibility for defects in the product caused by an incorrect installation, its wrong application or incompetent configuration or programming.

These products, that ELIS PLZEŇ a. s. makes available on the market, are certified according to applicable standards. The accompanying documentation consists of *Project design, installation and service manual* and *Declaration of Conformity*. The products have a warranty as stated in the *Confirmation of Purchase Order* or in the *Purchase Contract*.

All product manuals are regularly updated and the current version is delivered together with the product and also available on the Internet under www.elis.cz/en.

ELIS PLZEŇ a. s. shall have the sole right to update technical documentation for its products.

When ordering a flowmeter, the buyer shall provide all required parameters. ELIS PLZEŇ a.s., as the purchaser, shall confirm the received Purchase Order and send it back together with manufacturer's General Terms and Conditions.

Deliveries of flowmeters shall be governed by the Czech Civil Code. The product is delivered pursuant to the confirmed Purchase Order or Purchase Contract. ELIS PLZEŇ a. s. is not responsible for differences in flowmeter parameters that were not confirmed in writing.

The following icons are used in the *Project design, installation and service manual*:



Warning: incorrect operation or erroneous flowmeter configuration may cause damage to product or injury to persons.



Information about another flowmeter features or types of documents delivered together with the product.

1.5 Product warranty

The flowmeter manufacturer provides product warranty in accordance with their valid commercial conditions.

Additional information regarding warranty is included in Chapter 14 hereof.

1.6 Representations and certificates

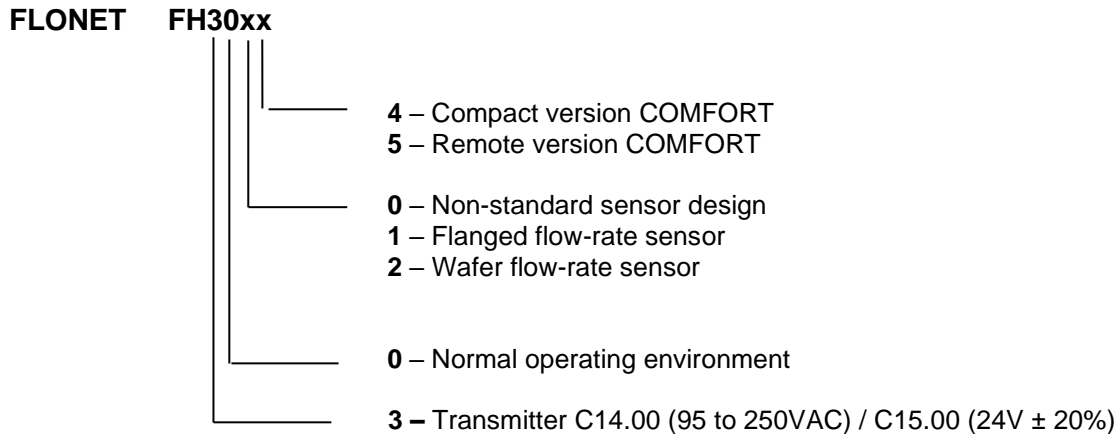
Applicable to electromagnetic flowmeters of the FLONET FH30xx type series are representations and certificates referred to in Chapter 17 below, namely:

- **Representation on CE compliance**

2 METER IDENTIFICATION

2.1 FLONET FH30xx flowmeter type designation

Review of the flowmeter FLONET FH30xx design versions:



2.2 Scope of delivery

2.2.1 Compact meter version FLONET FH30x4

- Flowmeter FLONET FH30x4 with interfaces RS-485 MODBUS RTU
- Product manual – Electromagnetic flowmeter FLONET FH30xx
- Product manual – Electromagnetic flowmeters of the type series FLONEX FXx11x and FLONET FH30xx Meter control instructions
- Product manual – Communication interface RS-485 MODBUS RTU
Electromagnetic flowmeters FLONET FH30xx and FLONEX FXx11x

2.2.2 Remote meter version FLONET FH30x5

- Transmitter for FLONET FH30x5 including signal cable / connector, communication interface RS-485 MODBUS RTU and communication interface HART
- Meter sensor and connection box
- Product manual – Electromagnetic flowmeter FLONET FH30xx
- Product manual – Electromagnetic flowmeters of the type series FLONEX FXx11x and FLONET FH30xx Meter control instructions
- Product manual – Communication interface RS-485 MODBUS RTU
Electromagnetic flowmeters FLONET FH30xx and FLONEX FXx11x
- Transmitter holder

2.3 Associated documents

- Representation on CE compliance
- Calibration report – optional (provided on request)

2.4 Flowmeter rating plates

2.4.1 Main meter plate

The main meter rating plate is located on top of the meter housing.

Both compact and remote meter versions



Example of the main meter plate

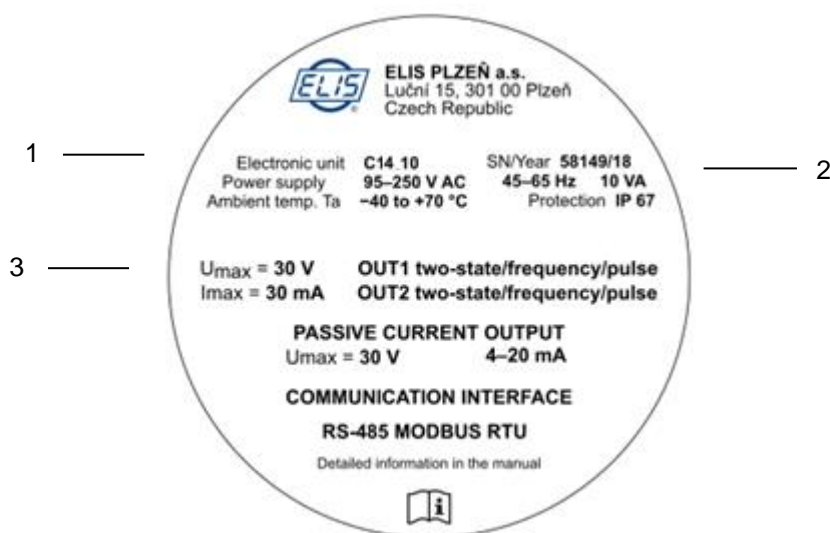
Comments

- 1 Manufacturer's name and address
- 2 CE mark and identification numbers of relevant authorities

2.4.2 Transmitter plate

The transmitter rating plate is attached to the rear cover of the transmitter terminal box.

Both compact and remote meter versions



Example of the transmitter plate

Comments

- 1 Transmitter for both compact and remote meter versions
- 2 Power supply 95 to 250VAC, 45 to 65Hz, 3VA max., or 24 ± 20% VDC, 3W max.
- 3 Output functions (binary, frequency, pulse or current outputs, communication interface) are pre-set in production as required in the product order documentation, but the user may subsequently change the setting.

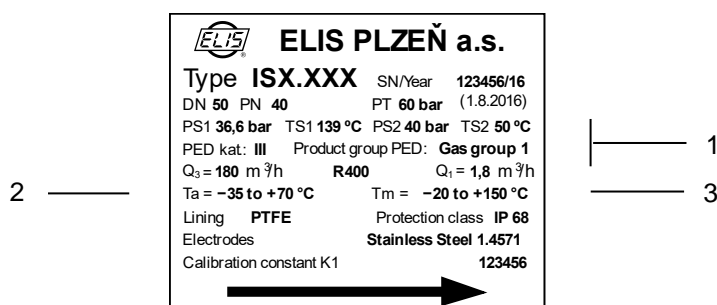


The initial output parameter setting is described in the flowmeter delivery note.

2.4.3 Sensor plate

The sensor rating plate is attached to the induction sensor housing.

Both compact and remote meter versions



Example of the sensor plate

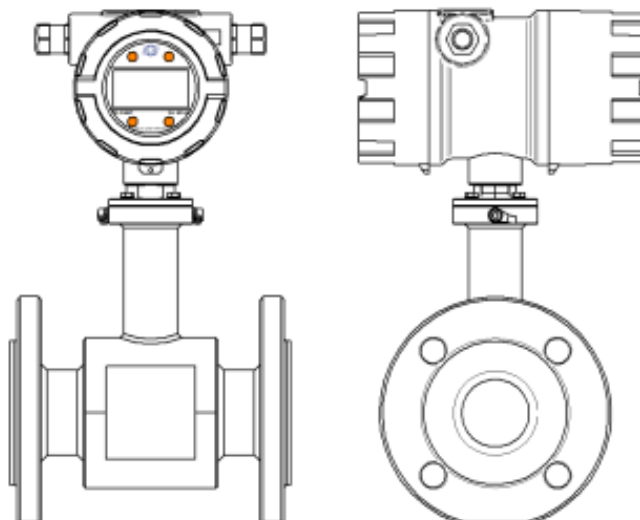
Comments

- 1 Sensor pressure parameters in reference to the PED directive
- 2 Ambient temperature
- 3 Temperature of the measured fluid

3 METER DESIGN AND MATERIAL VERSIONS

3.1 Compact and remote meter versions


In the cases of compact flowmeter version, the meter sensor and transmitter are connected internally and are integrated into a single unit.



In the remote meter version, the sensor and transmitter are connected by a cable.

The remote flowmeter version is preferable in the following cases:

- the measured fluid temperatures in excess of 70°C;
- space limitations not permitting application of the compact meter version;

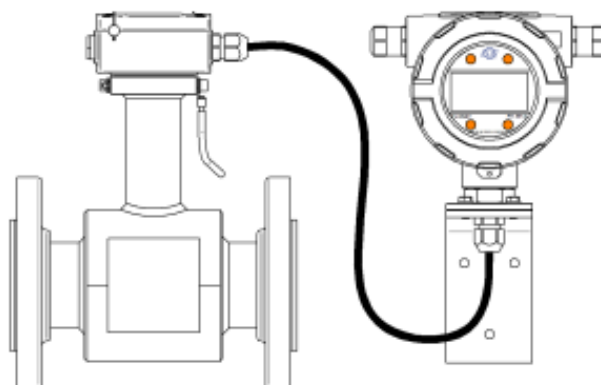
 ELIS PLZEŇ a. s.	Project design, installation and service manual	Page 11 of 72
	Electromagnetic flowmeter FLONET FH30xx	

- where the meter installation spot is difficult to reach.

To eliminate the risk of electromagnetic interference acting on the connecting cable, the transmitter should be as close as possible to the meter sensor.

Remote meter version including a sensor of protection class IP67

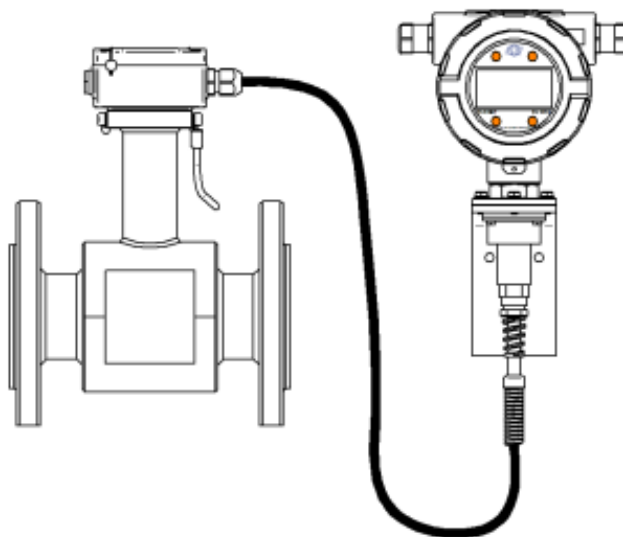
The meter sensor is supplied including a signal cable of the length specified by the customer. During the on-site meter installation, the cable shall be brought to the transmitter connection box and connected to the transmitter terminals.



Remote meter version – IP 67 sensor

Remote meter version including a sensor of protection class IP68

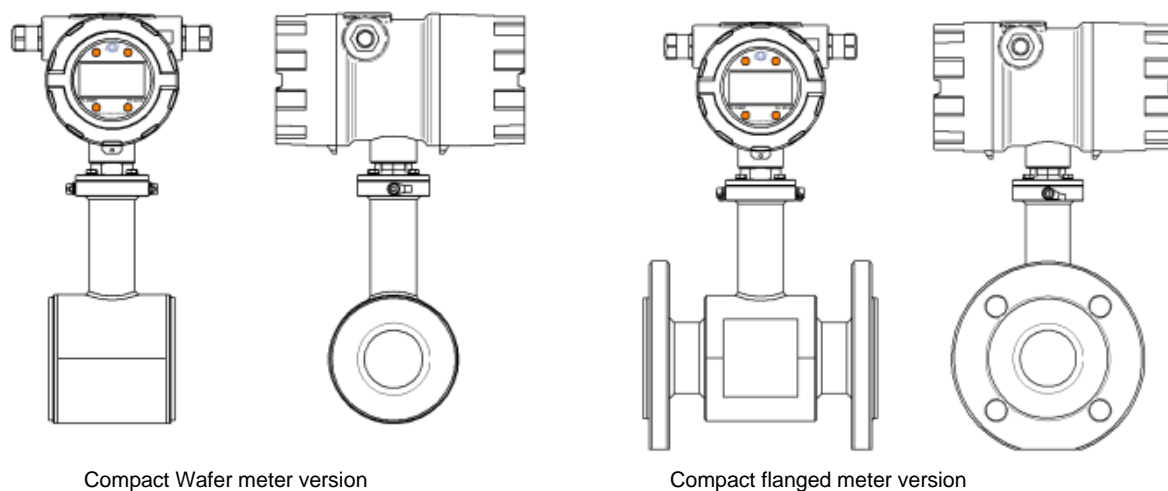
The signal cable end to be connected to the meter transmitter is provided with a connector. The matching connector is on the transmitter housing. The other cable end is brought to the sensor connection box where it is permanently connected to the electrical circuits of the sensor and the box is subsequently filled with hermetic insulating compound.



Remote meter version – IP 68 sensor

Meter installation in the fluid piping:

- Flanged meter version
- Wafer meter version (sensor to be fitted between two flanges)



Compact Wafer meter version

Compact flanged meter version

3.2 Operating pressure of the measured fluid

As electromagnetic flowmeters have been designed for the **maximum permitted operating pressure PS in excess of 0.5 bar**, they are, in reference to the **Directive of the European Parliament and Council No 97/23/ES** considered pressure equipment and as such assigned to pressure equipment categories **0 (SEP*)**, **I**, **II** or **III**.

Comment: * Sound Established Procedure

To select the correct rated pressure of the sensor flanges, the following parameters should be considered:

- Maximum operating pressure of the measured fluid, PS;
- Rated inner diameter (DN) of the connected piping;
- Maximum temperature of the measured fluid, TS.

Standard sensor design

Operating pressure of flanged sensors according to standard EN 1092-1; material: carbon steel

Rated sensor size DN	Rated sensor pressure PN	Maximum permitted pressure PS (bar) for maximum permitted temperature TS _{max} *			
		TS _{max} = 80°C (sensor lining materials HR, SR, SPR)	TS _{max} = 110°C (lining PTFE, E-CTFE)**	TS _{max} = 120°C (lining E-CTFE)**	TS _{max} = 150°C (lining PTFE)**
DN15 to DN50	PN40	38.3	36.7	-	35.2
DN65 to DN200	PN16	15.3	14.6	-	14
DN250 to DN700	PN10	9.5	9.1	9.0	8.8
DN800 to DN1200	PN6	5.5	5.4	-	5.2

Comments: * applicable to flanges made of materials of class 3E0 according to EN1092-1, such as steel P245GH or P265GH

** available on special request for sensor sizes in excess of DN300

Operating pressure of flanged sensors according to standard ASME B16.5; material: carbon steel

Rated sensor size DN	Rated sensor pressure PN	Maximum permitted pressure PS (bar) for maximum permitted temperature TS _{max} *			
		TS _{max} = 80°C (lining HR, SR, SPR)	TS _{max} = 110°C (lining PTFE, E-CTFE)**	TS _{max} = 120°C (lining E-CTFE)**	TS _{max} = 150°C (lining PTFE)**
NPS ½" to 24"	Class 150	15.9	15.9	15.9	15.8

Comments: * flanges made of materials of class 3E0 according to EN1092-1, such as steel P245GH or P265GH
 ** available on request for sensor sizes in excess of NPS 12"

Operating pressure of Wafer sensors; material: carbon steel

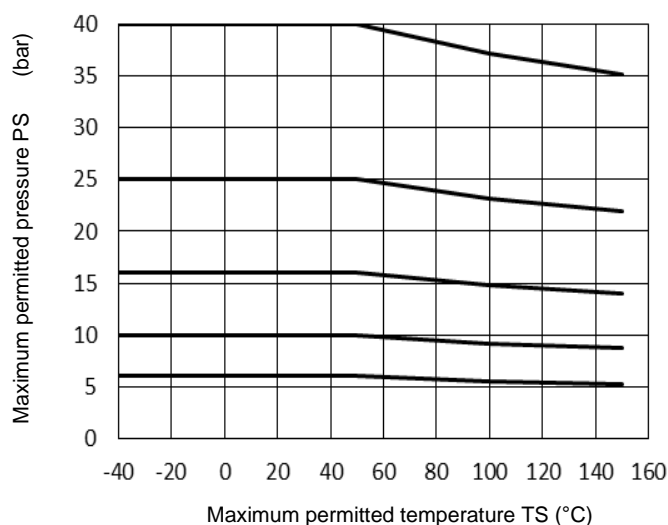
Rated sensor size DN	Rated sensor pressure PN	Maximum permitted pressure PS (bar) for maximum permitted temperature TS _{max} *		
		TS _{max} = 80°C (lining HR, SR, SPR)	TS _{max} = 110°C (lining PTFE)	TS _{max} = 150°C (lining PTFE)**
DN20 to DN50	PN40	38.3	36.7	35.2
DN65 to DN200	PN16	15.3	14.6	14

Comments: * flanges made of material class 3E0 according to EN1092-1, such as steel P245GH or P265GH
 ** available on request only

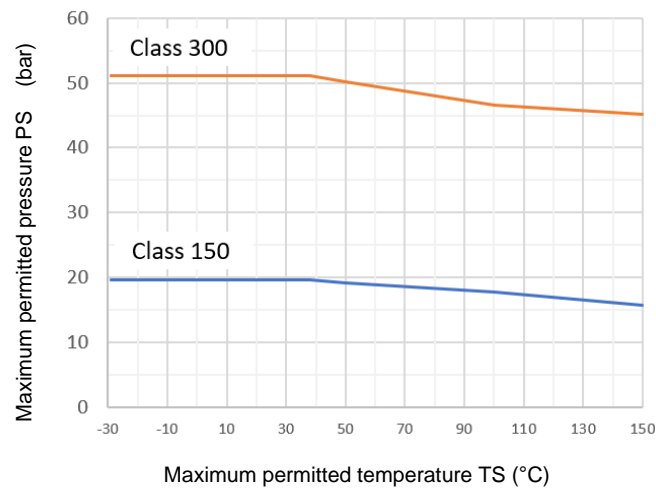
The values of PS (maximum permitted pressure) and TS (maximum permitted temperature), related to a specific sensor, are shown on the flowmeter sensor plate. Specified on the sensor plate also is the PED category.

Upon consultation with the manufacturer and in consideration of the pressure and temperature characteristics of other flange materials as specified in standards EN 1092-1 and ASME B16.5, meter sensors can be provided with flanges of other PS and TS parameters.

Pressure vs. temperature classes of flanges according to standard EN 1092-1



Pressure vs. temperature classes of flanges according to standard ASME B16.5



3.3 Sensor dimensions

Electromagnetic flowmeters FH30xx are intended for flow rate measurements with the fluid flow velocity within the range of 0.025 to 10 m/s. In practical situations it is recommended to limit the fluid flow velocity values to the range of 0.5 to 5 m/s. At low fluid flow velocities, the relative measurement error tends to increase, while at high velocities flow turbulences may occur.

If the inner sensor diameter is the same as those of the connecting piping, the pressure loss at the meter sensor is negligible.



If the operating fluid flow velocity is too low and the measurement error too high it is possible to increase the fluid velocity by using a meter sensor of a smaller size with the corresponding reduction of the inner diameters of the connecting piping. The disadvantage of this solution consists of a pressure loss at the pipe reduction area. Therefore, in practical situations, to reduce the pressure loss to a reasonable value, the pipe size reduction should be limited to a single degree.

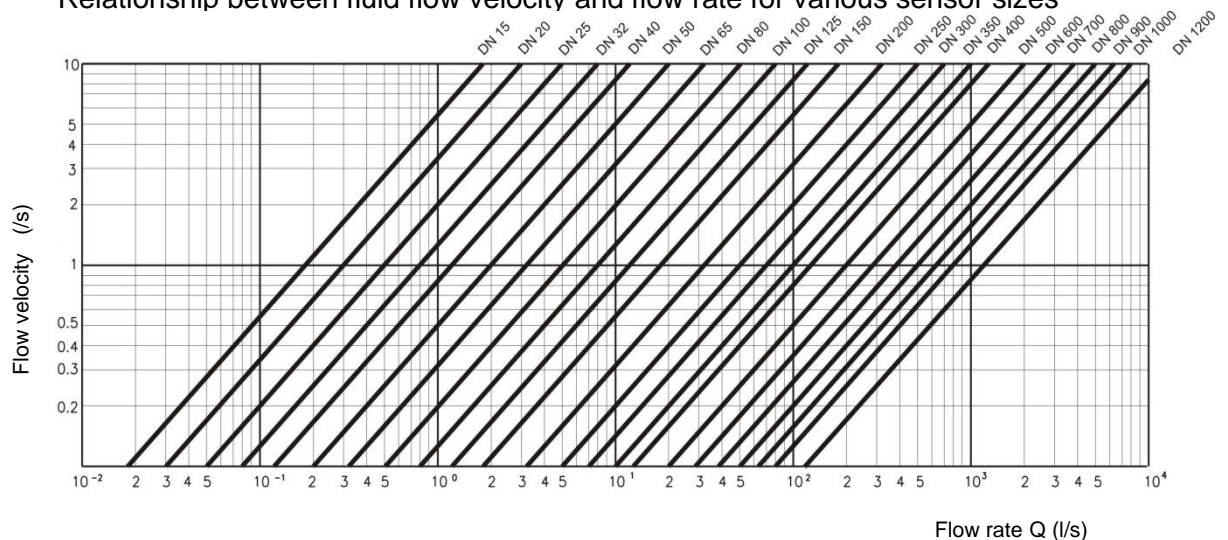
Fluid flow velocity in a piping can be calculated using the formula:


$$v = \frac{0.0003536 \times Q}{DN^2} \quad (\text{m/s, m}^3/\text{h, m})$$

Flow rates for various sensor dimensions

DN	NPS	l/s		m3/h	
		Q ₁ v = 0.025 m/s	Q ₄ v = 10 m/s	Q ₁ v = 0.025 m/s	Q ₄ v = 10 m/s
15	1/2"	0.0036	1.80	0.013	6,5
20	3/4"	0.0067	3.33	0.024	12
25	1"	0.0100	5	0.036	18
32	1 1/4"	0.0167	8.33	0.060	30
40	1 1/2"	0.0250	12.50	0.090	45
50	2"	0.0400	20	0.144	72
65	2 1/2"	0.0667	33.33	0.240	120
80	3"	0.1000	50	0.360	180
100	4"	0.1556	77.77	0.560	280
125	5	0.2389	119.44	0.860	430
150	6"	0.3611	180.55	1.300	650
200	8"	0.6389	319.44	2.300	1 150
250	10"	1.0000	500	3.600	1 800
300	12"	1.4000	700	5.040	2 520
350	14"	1.9444	972	7.000	3 500
400	16"	2.5000	1250	9.000	4 500
500	20"	4.0000	2 000	14.400	7 200
600	24"	5.5556	2 778	20.000	10 000
700		7.7778	3 889	28.000	14 000
800		10.0000	5 000	36.000	18 000
900		12.7778	6 389	46.000	23 000
1000		15.5556	7 778	56.000	28 000
1200		22.2222	11 111	80.000	40 000

Relationship between fluid flow velocity and flow rate for various sensor sizes



 ELIS PLZEŇ a. s.	Project design, installation and service manual	Page 16 of 72
	Electromagnetic flowmeter FLONET FH30xx	

3.4 *Sensor lining*

The sensor lining material shall be chosen with respect to the type and properties of the measured fluid. In cases of the meter application in chemical or food-processing industries, the user should consult the choice of the best suitable lining with the meter manufacturer.

The sensors used with flowmeters FLONET FH30xx can be supplied lined with one of the following materials:

- Soft rubber
- Hard rubber
- Hard rubber for drinking water
- PTFE
- E-CTFE

General properties

Soft rubber (SR)

Soft rubber is a material with high resistance to abrasion. It is recommended for less chemically aggressive operating environments (fluids) containing abrasive particles. This material is also noted for good resistance to dilatations and rapid temperature changes in the range of -20°C to $+80^{\circ}\text{C}$ (on request, -35°C to $+80^{\circ}\text{C}$).

Hard rubber (HR)

Material is suitable for medium-aggressive liquids with operating temperatures in the range of 0°C to $+80^{\circ}\text{C}$ (hot service water, condensate and similar fluids).

Hard rubber for drinking water (SPR)

Lining material is suitable for most applications in water management and water supply systems. Here hard rubber shall be certified for safe contact with drinking water. It is also recommended for medium-aggressive liquids with operating temperatures from $+5^{\circ}\text{C}$ to $+80^{\circ}\text{C}$.

PTFE

PTFE lining is suitable for applications in chemical and food-processing industries. It can also be used with aggressive liquids at operating temperatures ranging from -20°C to $+110^{\circ}\text{C}$ (on request, -35°C to $+150^{\circ}\text{C}$). PTFE lining can also be used in applications with the occurrence of underpressure 0 to 0,5 bar depending on medium temperature and flowmeter size. Manufacturer's prior consent is required.

E-CTFE

Chemical resistance of this type of lining is similar to that of PTFE. E-CTFE lining is suitable for applications in chemical industry where the temperatures of the operational fluid range from -20°C to $+110^{\circ}\text{C}$ (on request, -35°C to $+120^{\circ}\text{C}$).

3.5 *Electrode materials*

Standard materials for the measuring and grounding electrodes:

- Stainless steel 1.4571 (in combination with lining materials SR, HR or SPR)
- Hastelloy C276 (in combination with lining materials PTFE or E-CTFE)

Optional materials:

- Hastelloy C276
- Titanium
- Tantalum
- Platinum and Rhodium


3.6 Sensors for flowmeters FLONET FH30xx; review of sensor design and material versions

Overview of structural and material variants

FLONET FH30xx sensors:

Flanges		EN 1092-1				ASME B16.5		IP		Material										Grounding electrode							
		DN	PN			NPS	class 150			Linear					Elektrodes												
yes	no		6	10	16			40	67	68	SR	HR	SPR	PTFE	E-CTFE	1.4571	Hastelloy	Hastelloy	Ti	Ta	Pt-Rh	PTFE	E-CTFE	SR, HR	NG		
		15					1/2"																				
		20					3/4"																				
		25					1"																				
		32					1 1/4"																				
		40					1 1/2"																				
		50					2																				
		65					2 1/2"																				
		80					3"																				
		100					4"																				
		125					5"																				
		150					6"																				
		200					8"																				
		250					10"																				
		300					12"																				
		350					14"																				
		400					16"																				
		500					20"																				
		600					24"																				
		700																									
		800																									
		900																									
		1000																									
		1200																									
									standard																		
									on request																		
									standard for SR, HR, SPR					standard for PTFE, E-CTFE													
									on request																		
									Medium temperature (°C)																		
									-20 to +80 (on request -35 to +80)																		
									0 to +80																		
									+5 to +80																		
									-20 to +110 (on request -35 to +150)																		
									-20 to +110 (on request -35 to +120)																		

 Marked cells indicate production program

 ELIS PLZEŇ a. s.	Project design, installation and service manual	Page 18 of 72
	Electromagnetic flowmeter FLONET FH30xx	

4 INSTALLATION

4.1 *Taking over*

When taking over a delivered product, visual inspection shall be carried out to confirm the integrity of both the product and its packaging.

The correct scope of delivery shall be checked in reference to the product order, delivery note and product rating plates.

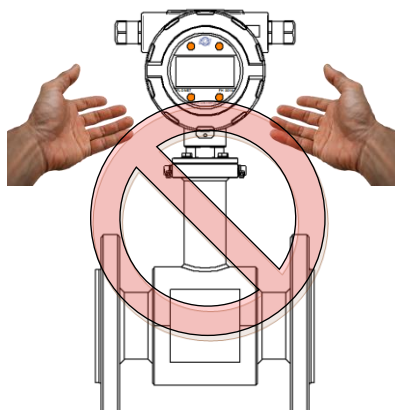
4.2 *Meter handling*

Avoid lifting the meter by holding onto any transmitter part or connection box; use for this purpose the meter flanges or lifting eyes only.

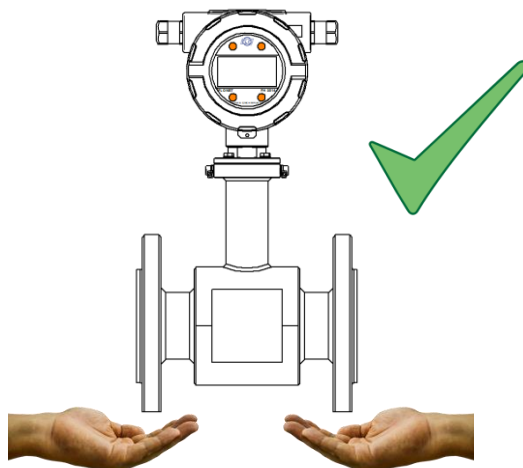


In transport, to avoid irreversible damage to the meter lining, do not place any auxiliary component parts into the meter piping.

Forbidden gripping



Recommended gripping



When using lifting equipment, apply suitable textile slings; application of metal chains or cables might result in damage to the meter.

It is recommended to transport the meter to the installation site in transport packaging.


4.3 *Storage*

For a flowmeter in storage, it is essential to:

- Observe the specified storage conditions regarding temperature and humidity;
- Avoid long-term meter exposure to direct sunshine (risk of damage to the meter display).



It is recommended to store the meter in complete transport packaging and remove the covers and packaging materials only immediately before installation.

 ELIS PLZEŇ a. s.	Project design, installation and service manual	Page 19 of 72
	Electromagnetic flowmeter FLONET FH30xx	

4.4 Installation conditions

4.4.1 General principles

Applicable to mechanical installation of the flowmeter are the following rules:

- The protection covers and packaging shall only be removed immediately before the meter installation;
- The arrow on the sensor housing shall point at the positive fluid flow direction;
- In cases of sensor installation into vertical piping the fluid flow direction shall be upwards;
- The piping flanges shall be parallel to one another;
- The inner piping and seal diameters shall correspond to the inner sensor diameter;
- The seals and grounding rings shall be correctly fitted between the flanges and not extend in the flow profile;
- The piping supports before and after the flowmeter location shall minimise the mechanical stresses acting on the sensor (vibration, tension, bend and others);
- No piping support shall be located under the meter sensor;
- The transmitter shall be protected from direct sunshine;
- The meter installation location shall be selected so as to ensure easy access for the operator to the transmitter and all meter rating plates;
- The meter sensor shall always be fully flooded by the measured fluid to avoid aeration;
- In cases of electrically non-conductive piping the measured fluid shall be grounded by means of grounding rings.



The sensor shall be inserted between the piping flanges by a shifting movement. With larger sensor sizes it is recommended to use installation inserts. It is also advisable, during the sensor insertion in the piping, to protect the sealing surfaces on the lining by a metal sheet or similar material.



Following the meter installation, no subsequent electric-arc welding operations shall be carried out on the piping at the sensor location. In particular, avoid welding on the piping flanges connected to the meter sensor.

4.4.2 Straight piping sections

To ensure correct functioning of an electromagnetic flowmeter, conditions shall be provided for continuous fluid flow and flow profile stability in the meter sensor.

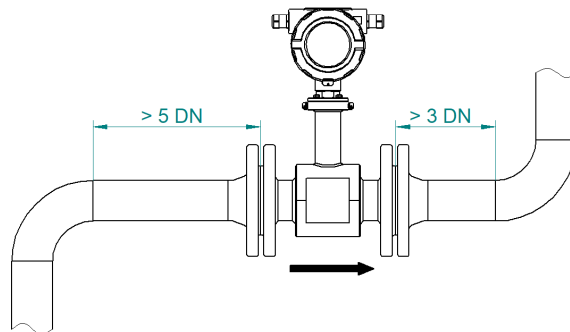
Before and after the meter sensor there shall be straight piping sections the required lengths of which are specified as multiples of the inner piping diameter. In cases of bi-directional measurements, the same requirements concern straight piping sections before and after the sensor. If there are flow-disturbing elements (such as bend or fitting) in the piping near the sensor location, the required length of straight piping section shall be increased – multiplied by the number of such elements.

At the contact plane between the sensor and the attached piping there shall not be any protruding edges causing the flow turbulence. The inner diameter of the piping shall not be smaller or greater by more than 3% than that of the sensor.

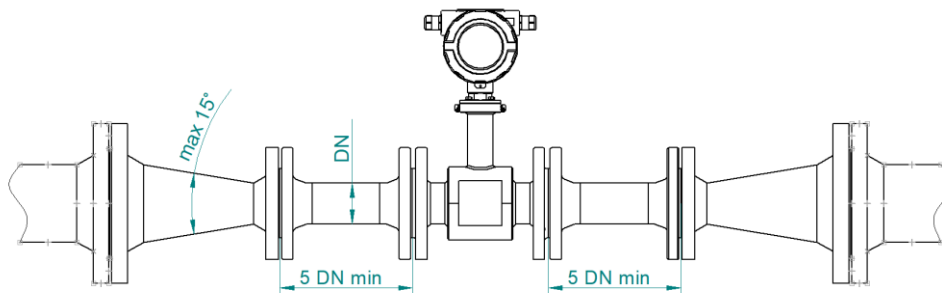
Avoid sensor placement at locations where at the sensor input are chemicals (especially chloride compounds) injected or dosed in the measured fluid. Imperfect blending of the fluid components may cause errors in the flow rate measurements or, in extreme cases, reduction of the measured flow rate to nil.

Preferable are flowmeter sensor installation locations before any piping elements affecting the smooth flow of the measured fluid.

In cases of bi-directional flow measurement, the basic required length of straight piping sections in front of and behind the flowmeter is 5DN.

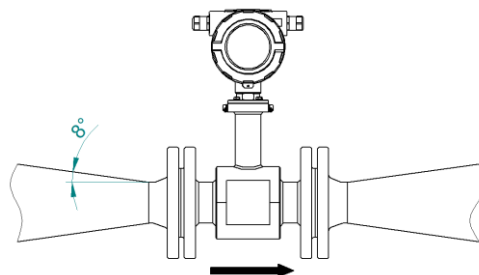


Installation of a flowmeter of a smaller size than that the attached piping requires the use of cone-shaped reduction pieces with the angle of inclination not exceeding 15°.



In cases of sensor installation in horizontal piping, to prevent generation of air bubbles in the fluid, it is recommended to use eccentric reduction pieces (see standard EN 6817).

Reduction pieces with angle of inclination up to 8° can be included in the straight piping length.




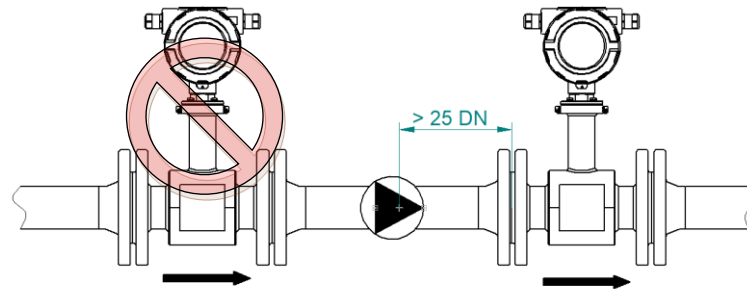
4.4.3 Suppression of the pump effects

To prevent creation of a low-pressure zone in the sensor and possible damage to the sensor lining, a pump shall always be placed before (at the input side of) the sensor. The length of the straight piping section between the pump and the sensor shall be at least 25 DN.



Placing the pump before the meter sensor reduces the cavitation effect and release of gases from the measured fluid. Increased pressure in the piping system will keep the fluid above the saturated vapour pressure and prevent cavitation effects.

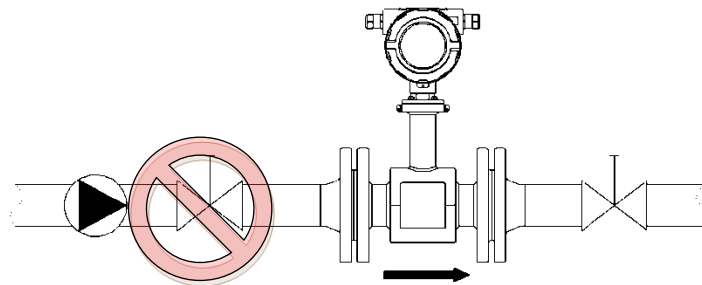
 The movement of the fluid in piping should be continuous and stable. If a pump generates fluid pressure pulses (e.g. pneumatic pump), a suitable pulse damping device should be included in the piping.



Correct pump position

4.4.4 Suppression of the effects of closing valves

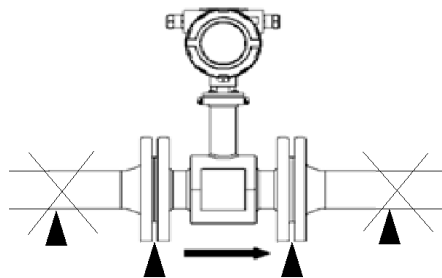
To eliminate the disturbing effects on the fluid flow velocity profile in the sensor and prevent the action of the cavitation phenomenon, the closing and throttling valves shall always be located after (at the output side of) the sensor.



Correct valve position

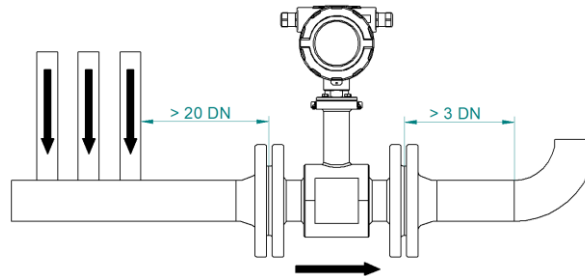
4.4.5 Suppression of vibration effects

Mechanical stresses and vibrations acting on the meter sensor might be detrimental to its function or integrity. It is therefore necessary to fix the position (support) the attached piping as close to the sensor housing as possible. It is assumed that the number of events involving particularly large stresses on the piping, such as filling or draining the piping system, or major fluid pressure changes, does not exceed 1,000 over the meter lifetime.



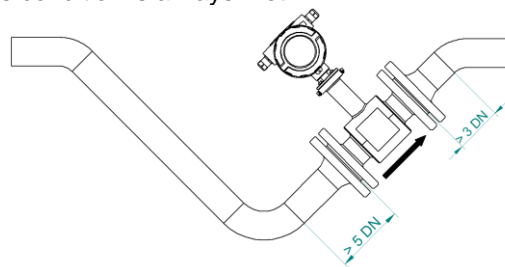
4.4.6 Piping stacks

The nearest stack on the piping system on the sensor input side should be at the distance of at least 20DN from the sensor.



4.4.7 Sensor flooding

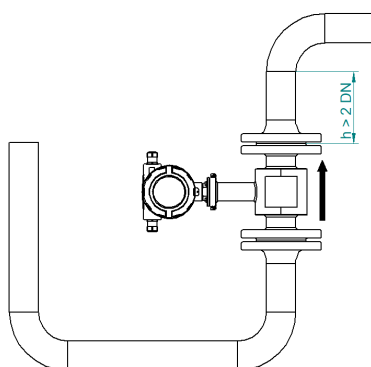
The meter sensor shall be completely filled with the measured fluid at all times. In cases where complete flooding of the whole cross-section of the connecting piping cannot be ensured, the meter sensor shall be located at such spot where this condition is always met



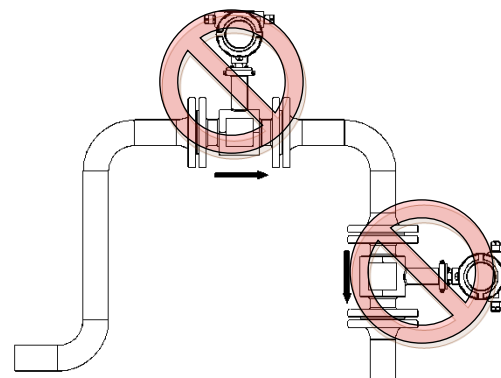
Permanent sensor flooding

4.4.8 Free discharge points

The sensor shall not be located at the highest piping section or in a vertical piping section with the flow direction downwards, especially in cases where a free discharge point is close by. Observation of this rule will prevent measuring errors due to a higher air bubble concentration within the sensor.




Free discharge

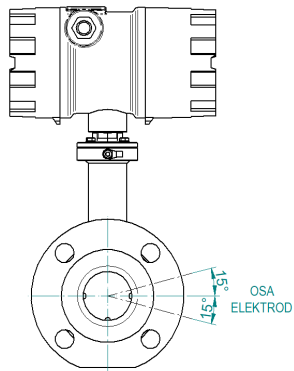


Risk of fluid aeration

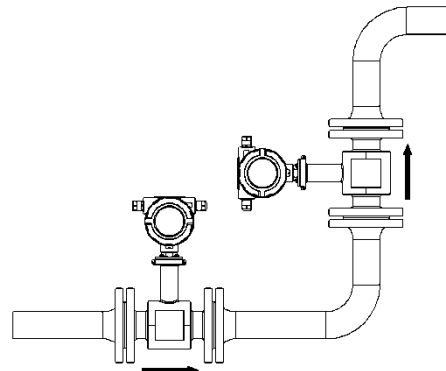
The sensor will work equally well in both horizontal and vertical positions. However, care shall be taken that the measuring electrode axis in the sensor be to the extent possible in a horizontal plane and the fluid flow direction be upwards.

The permitted deviation of the electrode axis from the horizontal plane is 15° in both fluid flow directions. The free discharge point shall be higher by 2DN than the sensor output end.

 ELIS PLZEŇ a. s.	Project design, installation and service manual	Page 23 of 72
	Electromagnetic flowmeter FLONET FH30xx	



Electrode axis



Vertical sensor position

4.5 Tightening torque

Electromagnetic flowmeters of the type series FH30xx are supplied without bolts, nuts and other fasteners or sealing elements.

The entity contracted to perform the meter installation work shall provide the necessary fasteners and seals and carry out the installation work in observance of the applicable standards, paying due attention to the given operational requirements and conditions.

Electromagnetic flowmeters with PTFE lining do not require any additional sealing. The sealing function is facilitated by the flared sensor lining. However, it is necessary for the sealing planes on the piping flanges to be free of any sharp edges. Due attention shall also be paid to observance of the recommended tightening torque.

Rubber and E-CTFE-lined sensors require the use of special sealing elements.

In cases where the meter sensor is to be attached to flanges made glass, ceramics, enamel or other smooth-surface materials, it is recommended to use additional sealing rings at the contact planes. The tightening torque shall be determined with respect to the specific material properties of the connecting flanges.



The sealing material shall not contain any electrically-conductive components that might get loose during the sensor operation, collect on the sensor lining and deteriorate its insulation properties.

Bolt tightening:

- Tighten the flange bolts using a suitable torque wrench, never an impact wrench.
- The connecting bolts shall be undamaged, preferable new, slightly greased.
- Stop tightening the bolts as soon as the required tightness has been achieved.
- Tighten the bolts along the flange perimeter in a crosswise manner, each in three steps: 50, 80 and 100% of the specified torque. Do not use torque in excess of the recommended/specified value.

Recommended bolt-tightening torque for sensor with PTFE lining

Flanges according to EN 1092-1

PN	DN	Number of bolts	Thread	Specified torque (Nm)
PN40	15	4	M12	16
	20	4	M12	27
	25	4	M12	37
	32	4	M16	61
	40	4	M16	78
	50	4	M16	100
PN16	65	8	M16	62
	80	8	M16	76
	100	8	M16	84
	125	8	M16	112
	150	8	M20	161
	200	12	M20	147
PN10	250	12	M20	163
	300	12	M20	195
	350	16	M20	220
	400	16	M24	310
	500	20	M24	325
	600	20	M24	330
	700	•	•	•
PN6	800	•	•	•
	900	•	•	•
	1000	•	•	•
	1200	•	•	•

Comment: •... Non-standard sensor sizes; parameters to be specified within the product ordering process



Flanges according to ASME B16.5

Class	NPS	Number of bolts	Thread	Specified torque (Nm)
150	1/2"	4	1/2", M12	12
	3/4"	4	1/2", M12	18
	1"	4	1/2", M12	23
	1 1/4"	4	1/2", M12	35
	1 1/2"	4	1/2", M12	48
	2"	4	5/8", M16	94
	2 1/2"	4	5/8", M16	110
	3"	4	5/8", M16	161
	4"	8	5/8", M16	114
	5"	8	3/4", M20	160
	6"	8	3/4", M20	200
	8"	8	3/4", M20	272
	10"	12	7/8", M22	255
	12"	12	7/8", M22	340
	14"	12	1", M24	430
	16"	16	1", M24	410
	18"	16	1 1/8", M30	610
20"	20	1 1/8", M30	540	
24"	20	1 1/4", M33	765	

Wafer sensor design

PN	DN	Number of bolts	Thread	Specified torque (Nm)
	25	4	M12	37
	32	4	M16	61
	40	4	M16	78
	50	4	M16	100
PN16	65	8	M16	62
	80	8	M16	76
	100	8	M16	84
	125	8	M16	112
	150	8	M20	161
	200	12	M20	147

The flange tightening torque for rubber or E-CTFE-lined sensors depends on the seal material and the sensor design version. Consult this issue with the seal supplier.

4.6 Thermal insulation

When installed in thermally insulated piping, to prevent unnecessary heat loss, the meter sensor is usually provided with thermal insulation too.

In such cases, the following rules need be observed:

- Insulation shall be applied onto the meter sensor only;
- Maximum surface temperature of the sensor, whether thermally insulated or not, shall not exceed the values given in Section 3.4;
- The maximum insulation thickness shall not exceed 40mm (the thermal conductivity coefficient $\lambda_D \leq 0.045$ (Wm⁻¹K⁻¹) at 50°C; see standard EN 13787);
- In the cases of compact meter version, the part connecting the meter sensor and transmitter shall always remain bare;
- The transmitter shall be protected from additional heating (by direct sunshine or heat emanating from nearby equipment).

4.7 Flowmeter heating

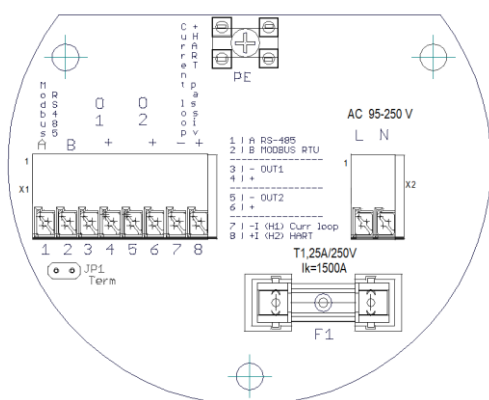
In measuring fluids with sub-zero operational temperatures, or at ambient temperatures close to the specified minimum fluid temperatures, it is permitted to provide the meter sensor with thermal insulation and auxiliary heating system.

- The sensor heating can be facilitated by electricity or a suitable heat-carrying medium supplied through a special piping system;
- In cases of electric heating, it is recommended to use a regulated AC power source with current switching at zero.

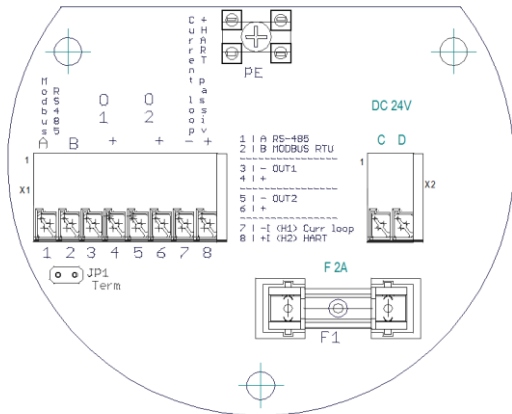
5 ELECTRICAL CONNECTIONS

5.1 Transmitter

5.1.1 Terminal box



Terminals	AC power source
L	95 to 250VAC, 45 to 65Hz
N	
PE	



Terminals	DC power source
C (+)	24V ± 20% (19.2 to 28.8VDC)
D (-)	
PE	

Output signals		
Terminals	Functions	
1	A	RS-485 MODBUS RTU
2	B	
3	-	Binary output
4	+	
5	-	
6	+	
7	-I (H1)	Current output
8	+I (H2)	

The output and communication signals shall be connected to the target devices via shielded cables. The cable shielding shall be connected at one end only, to the PE terminal, located on the terminal blocks.

5.1.2 Excitation circuit

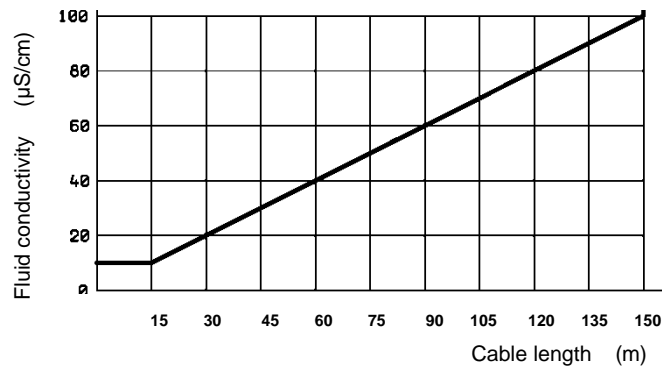
Excitation current $I = 200\text{mA}$
 Maximum voltage: $U_{\text{max}} = 30\text{V}$

5.1.3 Signal cables

The maximum length of the signal cables depends on the measured fluid conductivity and electric parameters of the cables themselves.

To eliminate risk of electromagnetic interference via the connecting cables, the transmitter shall be located as close as possible to the meter sensor.

The relationship between the measured fluid conductivity and the maximum length of the cables connecting the meter transmitter and sensor is shown in the following graph:



The above graph applies to sensor sizes up to DN80. For sizes in excess of DN80, the maximum cable length shown in the graph shall be derated as follows:

$$L_{DNXX} = \frac{L_{DN80} \times DN80}{DNXX} \quad (\text{m})$$

where L_{DN80} is maximum cable length determined from the graph for sensor sizes up to DN80
 L_{DNXX} is maximum cable length for the given sensor size (in excess of DN80)
 $DNXX$ sensor size in excess of DN80

Distance between the sensor and transmitter not exceeding 10m:

Fixed connection of the signal cable conductors to the transmitter terminals
 Cable parameters: $R = 80 \Omega/\text{km}$ (loop $2 \times 80 \Omega/\text{km}$)

Distance between the sensor and transmitter 10 to 150m:

The signal cable end provided with a connector with the matching counter piece at the transmitter
 Cable parameters: $R = 26 \Omega/\text{km}$ (loop $2 \times 26 \Omega/\text{km}$)



The signal cables are included in the product delivery scope. In their order, the customer shall specify the cable length.

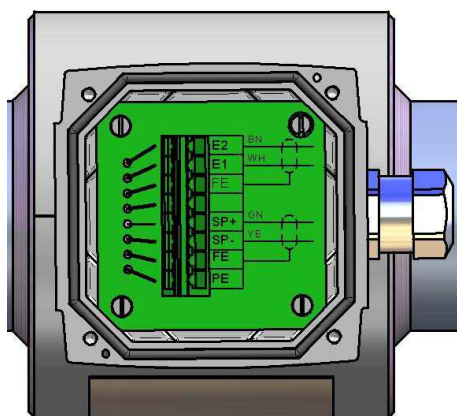


The flowmeter is calibrated with the connecting signal cable in place. The customer shall not modify or exchange the cable; such action shall be reserved to the authorised service staff or the meter manufacturer.

The connecting cable shall be fixed in position. Should it be left free, changes in the cable capacity due to its movement might adversely affect the measurement accuracy, especially at low fluid flow velocities.

Cable extension or shortening is not permitted. Replacement of a damaged cable shall be arranged with the meter manufacturer.

5.2 Sensor connection box



Sensor connection box

Signal cable connection table – the sensor protection class IP 67/IP 68

Terminal	Description	Conductor colour
E2	Electrode E2	Brown BN
E1	Electrode E1	White WH
FE	Grounding electrode	Blue BU (shielding for the conductor pair BN, WH)
SP+	Excitation winding	Green GN
SP-	Excitation winding	Yellow YE
FE	Grounding electrode	Blue BU (shielding for the conductor pair GN, YE)
PE	Protection conductor	Yellow and green GNYE (the cable shielding)



Conductors leading to terminals SP+ and SP- may be connected or disconnected only with the transmitter power source switched off.




The sensor designed with protection class IP 68 has a fixed connection of the signal cable conductors to the sensor terminals. In production, the terminal box is sealed and the terminals embedded in an impregnation compound protecting the sensor from the ambient humidity. The other end of the cable is provided with a connector facilitating connection to the meter transmitter.

5.3 Power and information cables

In operating environments free of explosion risk, the power and information cable connections do not require any special arrangement. Applicable to the meter installation work are standard procedures known from conventional measurement and control systems. However, due attention shall be paid to the applicable national regulations and standards.



The flowmeter does not include any integrated line circuit breaker. Unless the meter configuration includes a moveable power cord and plug, a separate power switch or circuit breaker shall be used (see the provisions of section 6.11.3.1 of standard EN 61010-1). The protective conductor of the power supply cable to be connected to the PE terminal must be longer than the L and N conductors. The PE conductor must be disconnected as last if the power cable is removed from the bushing. This PE terminal is located at the bottom of the terminal box of the instrument box.

 ELIS PLZEŇ a. s.	Project design, installation and service manual	Page 30 of 72
	Electromagnetic flowmeter FLONET FH30xx	

5.4 Cable placement

To minimise the effect of electromagnetic interference, the cables connecting the sensor and the meter transmitter shall be laid at least 25cm away from the power cables of other electric equipment.

In selecting cable routes, attention shall be paid to the risk of thermal degradation of the cable insulation due to nearby technological heat sources. All cables shall be laid outside the thermal insulation layers on piping.

The cable glands shall be properly sealed and tightened with suitable tooling. To prevent cables from being pulled out of the glands, their position shall be mechanically fixed no further than 0.3m away from each gland.

Outside the gland, the cable shall be bent to form a “dripping loop” (the straight length of about 30mm of the cable is led horizontally from the gland and then bent down to form a loop).

5.5 Power supply specifications

The electrical circuits of the transmitter forming part of a FLONET FH30xx flowmeter are designed as floating, insulated from the ground potential.

The FH30xx electromagnetic flowmeter can be delivered with either AC or DC power supply.

AC power supply

- 95 to 250VAC, 45 to 65Hz, 3VA max.
- Internal fuse T 1.25A/250 V, 5 x 20 mm

DC power supply

- 24V \pm 20% (19.2 to 28.8VDC), 3W max.
- Internal fuse T 2A/250V, 5 x 20mm



Special attention shall be paid to the power supply arrangement in cases of an electromagnetic flowmeter installed in a piping system provided with cathodic protection.

For more detailed information, see Section 5.7. (*Grounding and potential equalising*) hereof.

In locations with strong electromagnetic interference (e.g. in the vicinity of frequency converters), it is recommended to include a filter in the power supply lines. The filter shall be installed as close as possible to the meter transmitter.

Filter parameters:

Rated voltage:	250V/50Hz
Rated current:	0.5A or higher
Attenuation characteristic:	10kHz 10 to 20dB 10MHz 40dB

5.6 Input and output connections



Outputs from the flowmeter of the type series FLONET FH30xx are not intrinsically safe.

5.6.1 Multifunction outputs OUT1, OUT2

Functions and parameters

- Passive outputs: electrically insulated from the ground and other inputs and outputs
- Open collector: $U_{max} = 30V$, $I_{max} = 30mA$
- Status in cases of power cut: open
- Output operational modes:
 - Frequency: Frequency range 0 to 10kHz, duty cycle 1:1
 - Pulse: Maximum frequency 100Hz
Selectable pulse number
Pulse length setting 1 to 999ms
 - Binary: Exceedance of set limit values of measured quantities
Permanently closed
No-error condition

The output parameters of the frequency output are influenced by the capacity of the connected cable. When transmitting a frequency output signal with a value reaching up to 10 kHz over long distances, this negative effect on the quality of the transmitted signal at the evaluation point must be considered.

Multifunction outputs – selectable functions

- Pulses/frequency for Q+
- Pulses/frequency for Q–
- Pulses/frequency for |Q|
- Q > Qmax
- |Q| > Qmax
- Output negation

Pulse number determination for the pulse output

Restrictive conditions in setting the pulse output parameters:



- Maximum output frequency: $f_{max} = 100\text{Hz}$
- The middle period between pulses **M** shall be equal to or wider than the pulse width **P**. Breaching this condition will result in an error message.

It holds:

$$M \geq P$$



$$P + M = T \quad f = \frac{1}{T}$$

In selecting the pulse number, the following requirement shall be met:

$$Q_{max} \leq 3.6 \times V \times f_{max} \quad (\text{m}^3/\text{h}, \text{l}/\text{imp}, \text{imp}/\text{s})$$

where: **Q** ... fluid flow rate (m³/hod)
V ... volume per one pulse (l)
P ... pulse length (s)
f ... pulse output frequency (Hz)
T ... cycle length (s)

The flowmeter software permits setting the **V** values in steps shown in the table below:

V (l)							
0.001	0.01	0.1	1	10	100	1000	10000



The pulse length in cases of electronic determination of the fluid volume passed through the sensor is recommended to be set at $P_{min} = 5\text{ms}$, which meets the condition for f_{max} at the pulse output equal to 100Hz. In cases of electro-mechanical counters, P_{min} is usually set at 50ms, corresponding to the maximum frequency at the pulse output of 10Hz.

Example:

Assume that a user specified for their flowmeter of DN100 the maximum operating flow rate:

$$Q_{max} = 150 \text{ m}^3/\text{h} \quad (Q_{max} = 41.66 \text{ l/s} \dots v = 5.3 \text{ m/s})$$

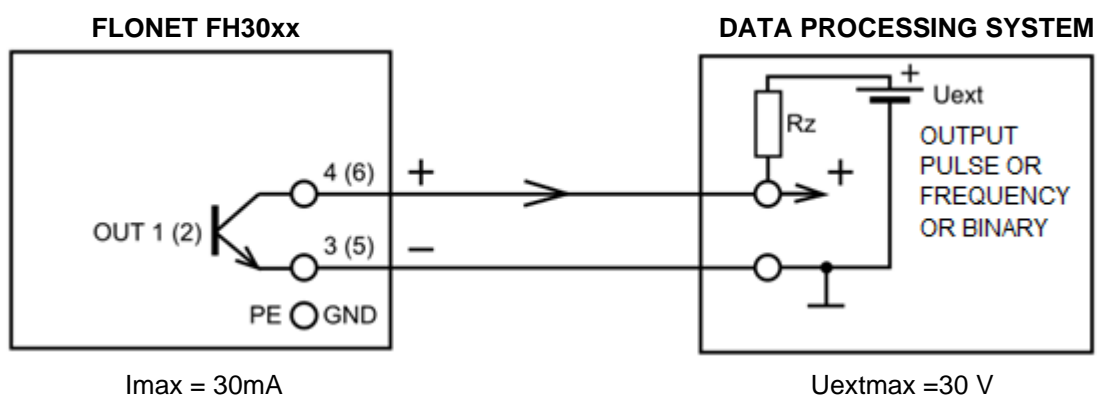
For the fluid volume corresponding to one pulse (of length 5ms, f_{max} 100Hz) it holds:

$$V \geq \frac{Q_{max}}{3.6 \times f_{max}} \quad (\text{l/pulse, m}^3/\text{h, Hz})$$

$$V \geq 0.416 \quad (\text{l/pulse})$$

By selecting the next higher pulse number from the above table (1 litre per pulse) the user will make sure that the pulse output frequency will not exceed (for the specified Q_{max} of 150 m³/hour) the value of 100Hz and, at the same time, verify the selection of the pulse length (5ms). The user may choose the V values other than those from the basic selection in the above table, e.g. 0,5 litres/pulse.

Passive output



Assignment of terminals		
Output	Terminal	
OUT1	3	-
	4	+
OUT2	5	-
	6	+

Shielded cables must be used to connect the output signals.
The shield is only connected on one side, namely the PE terminal located on the terminal board.

5.6.2 Current output 4 to 20mA

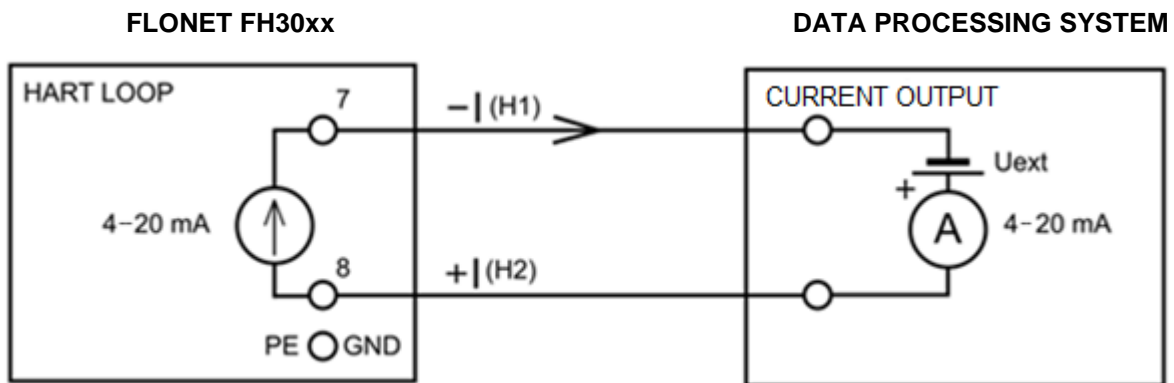
Functions and parameters

- Passive current output electrically insulated from the ground and other inputs and outputs
- $U_{max} = 30V$
- $R_{zmin} = 250\Omega$
- Programmable function:
 - Volume flow rate
- Fixed current setting in the range of 4 to 20mA



In cases of power cut, the current output will preserve the last value prior to the power failure.

Passive output



$I_{max} = 20\text{mA}$
 $I_{min} = 4\text{mA}$

$U_{extmax} = 30\text{V}$

Current loop resistance:

$$R_z = \frac{U_{ext} - 8}{0.02} \quad (\Omega, \text{V}, \text{A})$$

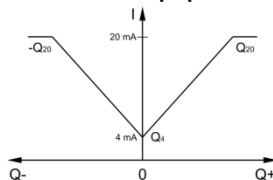
$R_{zmin} = 250\Omega$

$R_{zmax} = 800\Omega$

Selectable functions of the current output

- Output $-Q \dots +Q$
- Output $0 \dots |Q|$
- Fixed current $4 \dots 20\text{mA}$

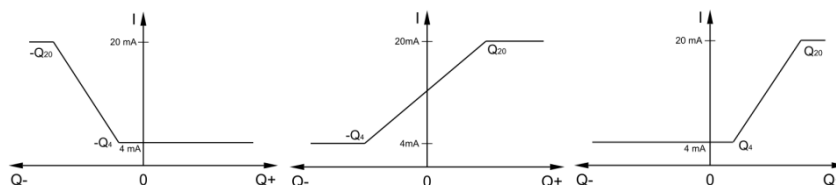
Current for $|Q|$

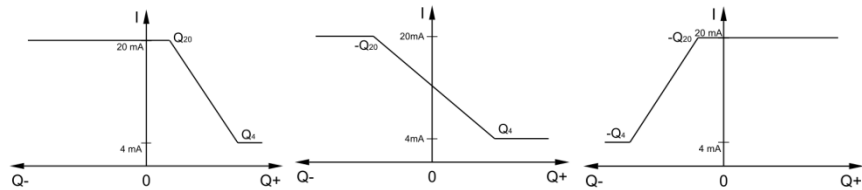


Current for $-Q \dots +Q$



The flow rates corresponding to 4 or 20mA can be either positive or negative, and their mutual relationships can be either "greater than" or "lower than". Therefore, the user may select any one of six possible functions of I_{out} vs. flow rate Q :

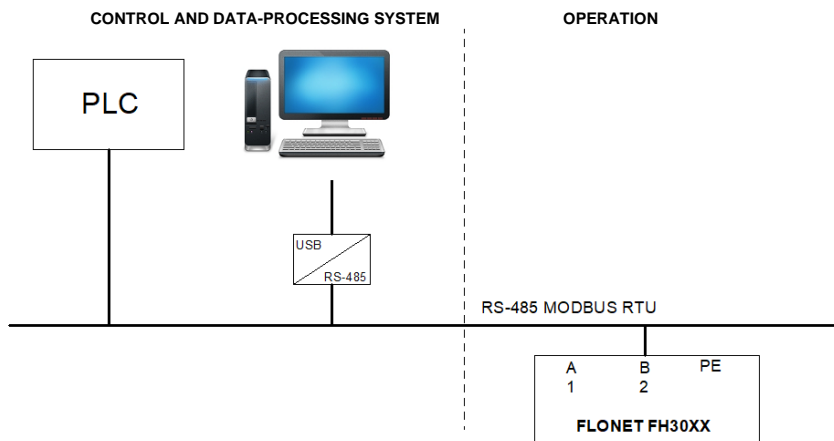




Shielded cables must be used to connect the output signals.
The shielding is only connected on one side, namely on the PE terminal, which is located on the terminal board.

5.6.3 Communication interfaces

5.6.3.1 Communication interface RS-485 MODBUS RTU



- Communication interface: RS-485 MODBUS RTU according to standard EN 61158, electrically insulated
- PC requirements: Windows 7 or higher OS upgrade (Linux, iOS) with JAVA 8u40 or higher, the FLOSET 4.0 communication software installed
* .Flo configuration file
- Connecting cable: USB / RS-485 converter with connection cables
Type A according to EN 61158-2 (a twisted pair of conductors, 90% shielding)


Interconnection:

FH 30xx	Bus conductor
1	A
2	B
PE	Shielding

Detailed instructions regarding application of the RS-485 MODBUS RTU communication interface can be found the manual:

Es 90684K

**Communication interface RS-485 MODBUS RTU
Electromagnetic flowmeters FLONET FH30xx and FLONEX Fx11x**

 ELIS PLZEŇ a. s.	Project design, installation and service manual	Page 35 of 72
	Electromagnetic flowmeter FLONET FH30xx	

5.7 *Grounding and potential equalising*

To guarantee correct operation of the FH30xx electromagnetic flowmeter, it is necessary to ensure that the potential of the measured fluid before and after the flowmeter, the reference meter potential and the PE protection conductor be equalised with the ground potential at the meter installation site. For the equipment grounding and potential equalising, use Cu conductor of cross-section 4mm².



The external PE terminal on the transmitter box shall be internally connected to the reference meter potential.

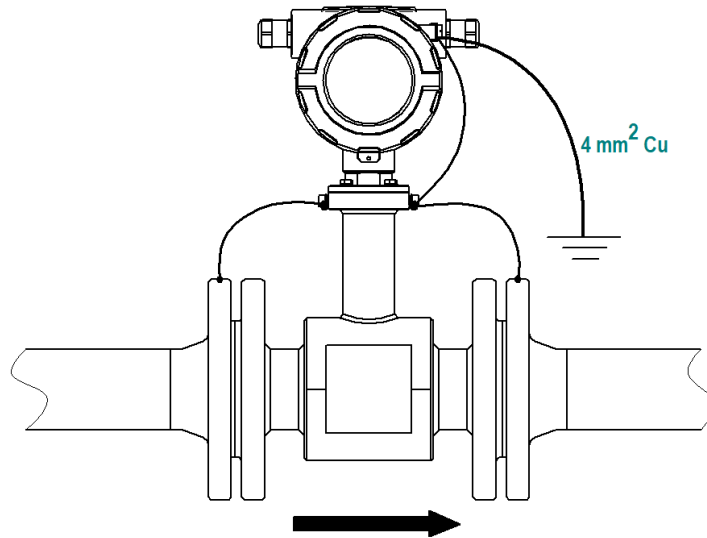
Electrically conductive piping

Flanges on the conductive piping shall be connected to the PE terminals on the sensor and transmitter housings and to the ground potential.



The bolted connections between the piping and sensor flanges cannot be taken for a reliable and satisfactory conductive connection. It is recommended to provide threaded holes on the flanges for a reliable bolted connection of the grounding/equalising conductor.

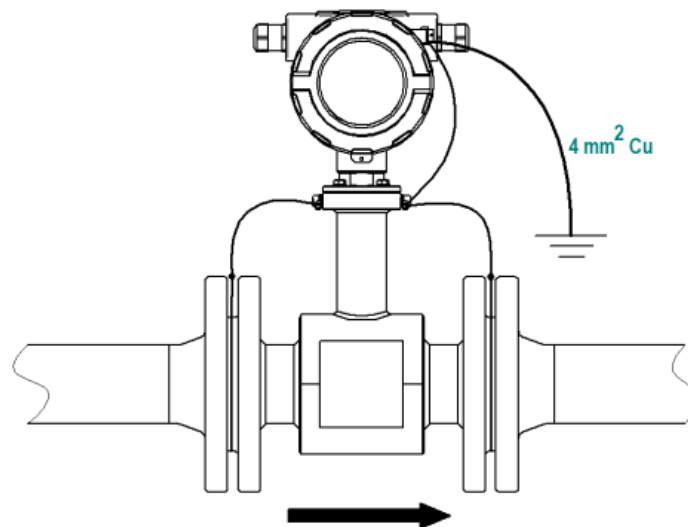
It is not recommended to place the grounding or equalising conductors under the heads of the main flange bolts; such connection may be subject to corrosion and adversely affect the measurement accuracy.



Piping made of insulating materials or piping with insulating lining


In such cases, the requirement for the fluid potential equalisation shall be met by two grounding rings installed before and after the flowmeter. Each grounding ring shall be inserted between two sealing rings.

i **The grounding rings are not included among the standard meter accessories**, but they can be ordered with the product. Regarding chemical stability and resistance with respect to the measured fluid, the grounding rings shall meet the same criteria as the measuring electrodes.



In the cases of remote meter version, the PE terminal on the meter sensor and the transmitter box shall be interconnected by a Cu conductor of cross-section 4mm².

! **This connection shall not serve the purpose of potential equalisation with any other equipment or devices.**

 ELIS PLZEŇ a. s.	Project design, installation and service manual	Page 37 of 72
	Electromagnetic flowmeter FLONET FH30xx	

Piping with cathodic protection

If an electromagnetic flowmeter is to be installed into piping with cathodic protection, it is necessary to ensure that all flowmeter parts be electrically insulated from the piping. At the same time, the meter power source shall be insulated from the power grid. To ensure the overall piping conductivity, the installed meter shall be bypassed by Cu conductor of cross-section 6 mm² (connected to the piping flanges before and after the flowmeter).

The fluid potential shall be equalised with the reference meter potential (the PE terminal potential) by means of grounding rings. The grounding rings shall also be insulated from the piping.

6 METER COMMISSIONING

6.1 Check on electrical connections

Prior to meter energising, check and make sure that:

- The power network voltage complies with the specifications on the meter rating plate;
- The power network is properly protected;
- All terminals and electrical connections are properly tightened;
- The installation cables are:
 - intact,
 - connected at their ends to the correct terminals in the flowmeter and the co-operating equipment,
 - secured against incidental excessive stress (pulling out of the respective glands), and
- The meter grounding and potential equalising has been carried out as specified in the product manual.

6.2 Check on meter housing tightness

To attain the parameters of the equipment protection class referred to in Chapter 8 (METER SPECIFICATIONS), the flowmeter installation shall be carried out in observance of the following directions:

- Use only cables of external diameters corresponding to the sizes of the cable glands installed;
- Form dripping loops on the cables;
- Avoid meter installation position where the cable glands lead upwards;
- Tighten properly all covers and lids on the meter housings.

Following every service action:

- Check the condition (integrity and intactness) of all sealing elements and surfaces;
- Using suitable tooling, tighten all cable glands and meter housing covers.

6.3 Check on the installed meter

The flowmeters are supplied calibrated with verified functions and parameters set according to the customer specifications.

Prior to the meter commissioning, inspect the meter installation site in reference to the requirements of Section 4.4 above, and assess the possible adverse effects from the nearby technological equipment such as:

- Undesirable meter warming by external heat sources;
- Excessive temperature stress on cable insulation;
- Vibrations and shocks in the piping, and others.

6.4 Check on the meter operation conditions

Prior to filling the piping and the installed meter sensor with the fluid to be measured, make sure that the fluid parameters (temperature and pressure) are within the limits specified on the meter plate, and that any risk to life or health of personnel is excluded.

7 OPERATION

7.1 Meter energising

7.1.1 Display status

Upon turning the power on, all meter modules will undergo the initiation procedure. Following the display test, the basic screen format with the following data will be shown:

- Current volume flow rate
(if an error is detected, an error code is displayed next to the current flow)
- Aggregate fluid volume passed through the meter sensor in the positive direction;
- Aggregate fluid volume passed through the meter sensor in the negative direction.

The bar chart at the top of the display shows the current flow rate related to the specified maximum flow rate.

Basic screen format



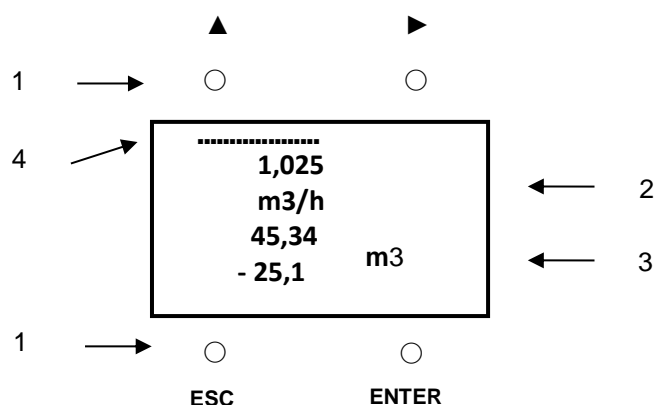
7.2 Front panel and control buttons

7.2.1 Display

The meter is provided with a colour OLED display of 128 x 64 pixels where all the measured quantities, flowmeter parameters and important user information can be visualised. The display control is facilitated by means of four optical buttons (optical reflex sensors).

7.2.2 Control button functions

Button locations with respect to the display



Comments:

- 1 *Optical buttons (optical reflex sensors)*
- 2 *Instantaneous flow rate*
- 3 *Item selected from MENU – DISPLAY, or error messages*
- 4 *Instantaneous flow rate in the form of a bar chart*

Control button functions

Buttons ▲, ►, **ENTER** are actuated by a short touch with a finger on the button.

Button **ESC** is actuated by either a short (0.3s) or long (> 2s) touch with a finger.

- ▲ Moving in a menu to the next item above
 Cyclic functions: Setting a numeric value 0 – 9 (increasing)
 Change in sign +/-
- Moving in a menu to the next item below
 Moving the position mark (cursor) in setting numeric values
- ENTER** Confirmation of selected action
- ESC** Departure from current operation to the previous menu item without any parameter change
- ESC 2 s** Finger touch > 2s: return to the basic screen format



Actuated can be just one button at a time; the other buttons shall remain uncovered.
 To press the button repeatedly, you must first zoom out the finger and then reinsert.

7.3 Flowmeter control

7.3.1 Manual control

Manual meter control and selection of menu items using optical buttons do not require any special skills; these functions are intuitive and user-friendly.

7.3.1.1 Basic screen

1,025	
m3/h	
45,34	m3
- 25,1	

The basic screen always shows information on instantaneous flow rate (lines 1 and 2).

The remaining two lines are reserved for supplementary data the user may select from the menu **Display**.

The meter is supplied with these two lines pre-set to show the aggregate flow volumes passed through the sensor in the positive and negative directions.

If the flowmeter diagnoses a condition that may adversely affect the meter's operation, an error code is displayed next to the instantaneous flow value in line 1. If there is a serious error that can significantly affect the accuracy of the measurement, zero is displayed in the instantaneous flow field (eg ADC failure, interrupted or short-circuit excitation, unfilled piping, strong electromagnetic interference, etc.).

Error and diagnostic messages

Error code	Error description
E00	No error
E01	ADC range overflow
E02	Step change in flow
E03	Error reading / writing to memory
E04	Other electronics block error
E05	Warning - zero flow cannot be calibrated
E06	Low current excitation
E07	Short circuit in coil circuit
E08	Information - zeroing in progress, not measuring
E09	High resistance of measured medium
E10	OUT1 output error
E11	OUT2 output error
E12	Information - IOUТ out of range
E13	The time is not set correctly
E14	Overload flow Q4 exceeded



As long as you move in the control or parameter-setting menus, the display remains in the active mode (back-lighted).

The backlighting time can be set in the menu item **Backlighting time**. Deactivated display will automatically be activated upon touching any control button.

User password

To enter the Main menu from the Basic screen, actuate the **ESC 2 s** button and enter your user password.

The initial user password pre-set in production is 0000.

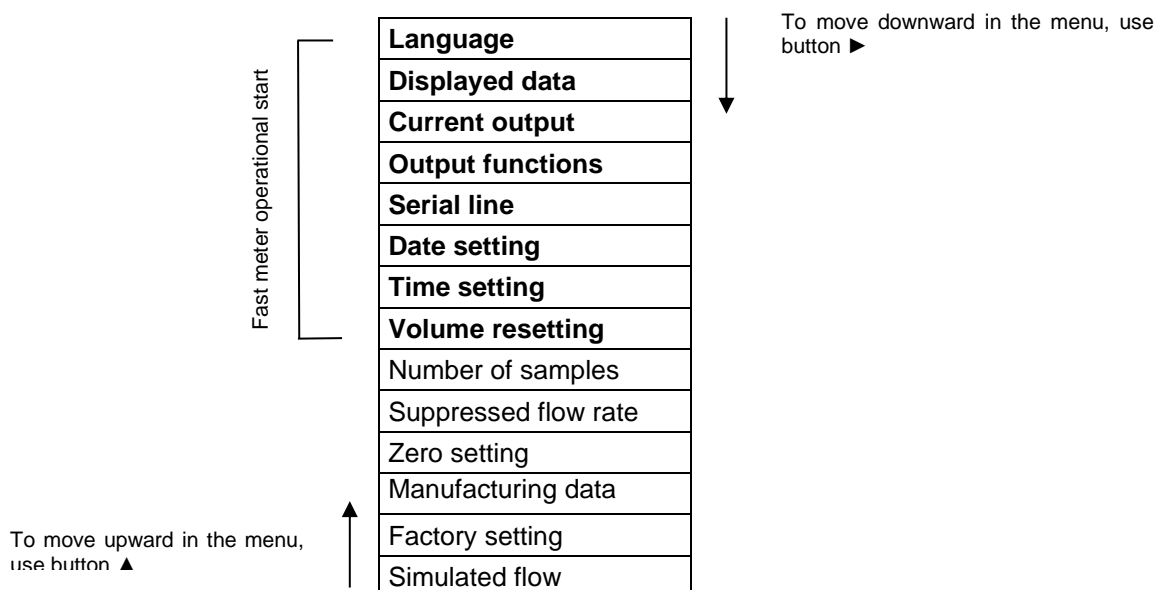


Changing the access password is possible only with the FLOSET 4.0 program via the RS-485 MODBUS RTU communication link.

To return to the Basic screen format actuate the **ESC 2 s** button.

Should no control button (**▲**, **▶**, **ESC**, **ENTER**) be actuated during the recent three minutes, or should the specified backlighting time elapse before that, the display will return automatically to the Basic screen format.

7.3.1.2 Main menu



The selected item will be shown in a highlighted window where it can be opened by actuating the ENTER control button. When scrolling up or down in the menu, always four neighbouring items will be shown.



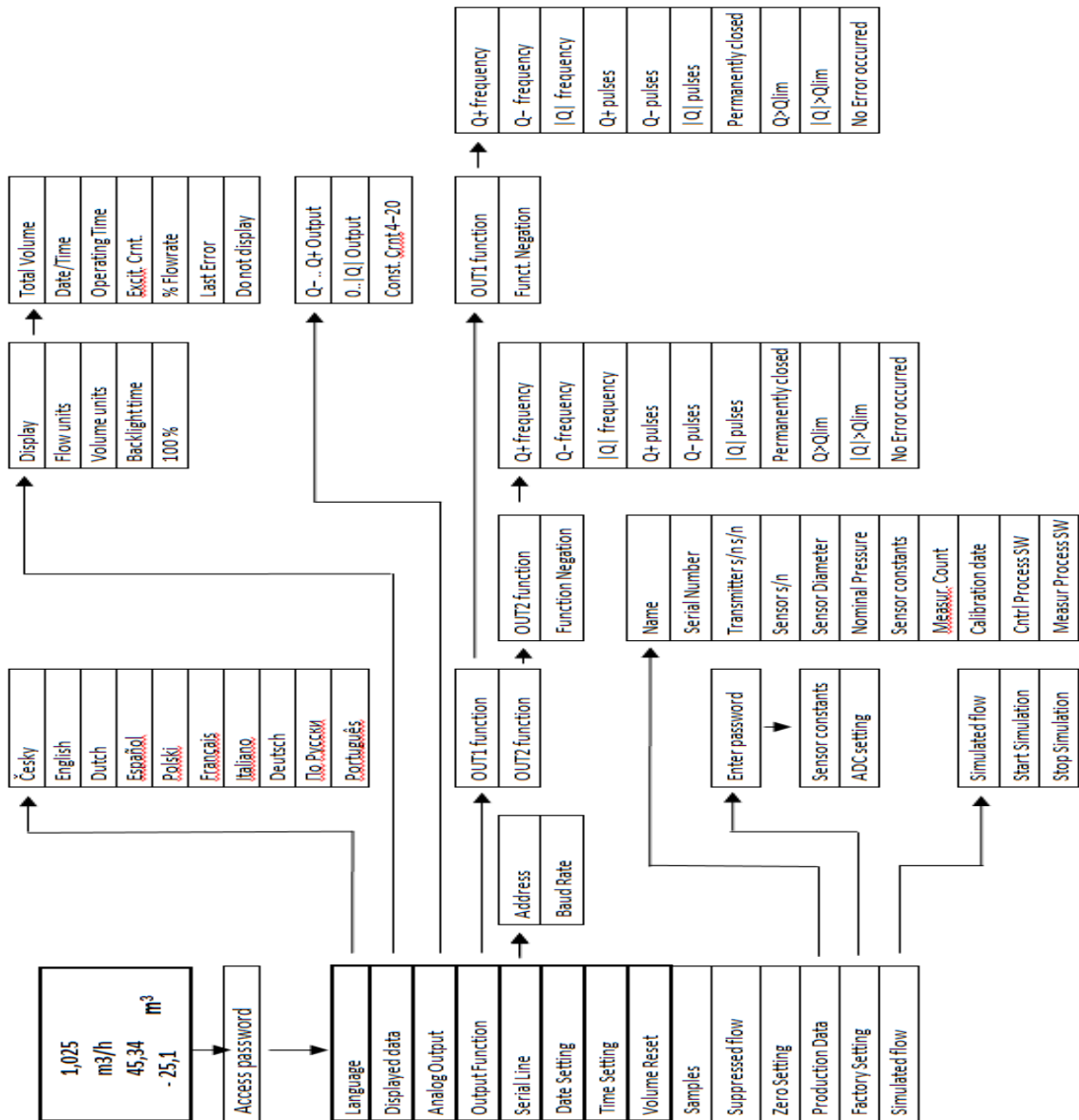
The manufacturer supplies the flowmeter verified as to its functions, calibrated and with parameters set according to the customer's order. If installed in the user's technology in observance of the requirements specified in the product manual, the flowmeter will be ready for immediate operational start.


In cases where the user requires an accelerated procedure for the meter commissioning and setting of the meter parameters with respect to the given operational conditions and the co-operating higher-level control system, it suffices to set the parameters shown in bold print in the above list of the main menu items.

Detailed description of the meter control procedures is given in the manual:

Es 90686K Electromagnetic flowmeters of the type series FLONEX FXx11x and FLONET FH30xx Meter control instructions

FLONET FH30xx control menu structure



 ELIS PLZEŇ a. s.	Project design, installation and service manual	Page 43 of 72
	Electromagnetic flowmeter FLONET FH30xx	

7.3.2 Remote meter control using the FLOSET 4.0 program

Flowmeters of the type series FLONET FH30xx are provided with the digital interface RS-485 MODBUS RTU and interface HART®.

Through an interface RS-485 and communication software FLOSET 4.0 the meter can be connected as subordinated equipment to a computer (a personal, notebook or tablet computer) with Windows 7 or higher OS upgrade (Linux, iOS) with JAVA 8u40 or higher.



FLOSET 4.0 is not included in the scope of delivery.
On request we can deliver:

- **FLOSET 4.0 software**
- **FLOSET 4.0 software User Guide**
- **Flowmeter configuration data * .flo**
- **USB / RS-485 converter with connection cables**

Program FLOSET 4.0 makes it possible to:

- read the measured quantities (volume flow rate and flow volumes passed through the meter sensor in both directions);
- set the parameters of the measured quantities to be displayed (units and number of decimal positions);
- set the multifunction output parameters (in the binary, pulse or frequency operational modes), and the current output parameters;
- set the flowmeter language, date and time;
- set the digital interface parameters;
- set the data archiving parameters and read the archived data;
- monitor extraordinary operational events and read the archived data on such occurrences.


7.3.2.1 **Communication interface MODBUS RTU**

The physical form of this interface consists of a serial line RS-485 of the following parameters:

- Speed 300, 600, 1200, 2400, 4800, 9600, 19200, 38400, 57600 Bd;
- 8 data bits, 1 stop bit;
- No parity.


Detailed description of communication via interface RS485 MODBUS RTU is given in the manual:

Es 90664K Communication interface RS-485 MODBUS RTU
Electromagnetic flowmeters FLONET FH30xx and FLONEX FXx11x

 ELIS PLZEŇ a. s.	Project design, installation and service manual	Page 44 of 72
	Electromagnetic flowmeter FLONET FH30xx	

8 TECHNICAL DATA


Basic information and parameters				
Measurement principle	The Faraday induction law			
Minimum fluid conductivity	10 µS/cm, 20 µS/cm for demineralised water			
Measured flow velocity range	0.025 to 10 m/s			
Rated inner diameter of connected piping	DN15 to DN1200 NPS ½" to 24"			
Flowmeter design version	Compact Remote			
Measuring and grounding electrode materials	Standard: <ul style="list-style-type: none"> • Stainless steel 1.4571 (SR, HR, SPR) • Hastelloy C276 (PTFE, E-CTFE) Optional: <ul style="list-style-type: none"> • Hastelloy C276 • Titanium • Tantalum • Platinum and rhodium 			
Measured fluid temperature / sensor lining material	Flanges	Lining	Temperature range (°C)	Sensor size
	Carbon steel (standard)	SR	-20 to +80	DN25 to DN1200
		HR	0 to +80	DN25 to DN1200
		SPR	+5 to +80	DN40 to DN1200
		PTFE	-20 to +110	DN15 to DN1200
		E-CTFE	-20 to +110	DN300 to DN1200
	Stainless steel (optional)	SR	-35 to +80	DN25 to DN1200
		HR	0 to +80	DN25 to DN1200
		SPR	+5 to +80	DN40 to DN1200
		PTFE	-35 to +150	DN15 to DN1200
E-CTFE		-35 to +120	DN300 to DN1200	
Sensor design version	Flanged DN15 to DN1200 Wafer DN25 to DN200			
Grounding	On flanges With grounding rings Grounding electrode (DN25 to DN1200 for PTFE, HR, SR) (DN40 to DN1200 for SPR) (DN300 to DN1200 for E-CTFE)			
Manufacturing materials	Transmitter housing: pressure casting, Al alloy Sensor connection box: pressure casting, Al alloy Sensor: measuring tube – stainless steel 1.4301 Sensor flanges and casing: standard – carbon steel optional – stainless steel 1.4301			
Surface finish	Transmitter housing: powder paint Sensor connection box: powder paint Sensor flanges and casing: standard – polyurethane paint All-stainless-steel sensor: shot blasting			
AC power supply	95 to 250VAC, 45 to 65Hz, 3VA max. Internal fuse: T 1.25 A/250 V, 5 x 20 mm			

 ELIS PLZEŇ a. s.	Project design, installation and service manual	Page 45 of 72
	Electromagnetic flowmeter FLONET FH30xx	

DC power supply	24V ± 20% (19.2 to 28.8 VDC), 3W max. Internal fuse: T 2A/250V, 5 x 20mm
Magnetic field	Pulse unidirectional field Selectable frequencies 1.56Hz; 3.125Hz; 6.25Hz; 12.5Hz
Back-up battery	CR2032
Operating environment	Free of explosion risk
Protection class	Transmitter: IP 67, optional IP 68 Sensor: standard IP 67, optional IP 68 (remote meter version)
Pressure loss	Negligible provided the sensor and connected piping are of the same inner diameter
Starting time	30min

Functions and properties	
Meter display	Graphic backlighted OLED, 128 x 64 pixels
Control elements	Optical reflex sensors actuated by touch across the front viewing window in the transmitter
Language	Czech, English, Dutch, Spanish, Polish, French, Italiano, German, Russian or Portuguese
Physical units of displayed quantities	Metric US Imperial
Functions	Bidirectional measurements of: <ul style="list-style-type: none"> • Volume flow rate • Aggregate fluid volume passed through the meter sensor Communication with external equipment Archiving of measured data and extraordinary operational events Sensor flooding check
Zero insensitivity	Selectable
Condition following power cut	Summary counters: No change Meter configuration and setting: No change Diagnostic and error messages: Stored Multifunction outputs: Open Current output: The last value prior to the power cut retained

Process parameters	
Fluid temperature	Compact meter version: standard -20°C to +70°C optional -35°C to +70°C Remote meter version: standard -20°C to +110°C optional -35°C to +150°C
Pressure class	PN 40 (4.0MPa) for DN15 to DN50 PN 16 (1.6MPa) for DN65 to DN200 PN 10 (1.0MPa) for DN250 to DN700 PN 6 (0.6MPa) for DN800 to DN1200 Class 150 ASME B16.5 for NPS ½" to 24"
Solid particle content	≤ 2%
Gas content	≤ 5%


 ELIS PLZEŇ a. s.	Project design, installation and service manual	Page 46 of 72
	Electromagnetic flowmeter FLONET FH30xx	

Environment	
Ambient temperature	Standard: -20°C to +70°C, no condensation Optional: -40°C to +70°C, no condensation
Storage temperature	-10°C to +70°C, no condensation (for HR, SR, PTFE, E-CTFE) +5°C to +70°C, no condensation (for SPR)

Measurement accuracy	
Reference conditions	See Chapter 9 (CALIBRATION)
Measurement accuracy at reference conditions	Standard: Class 2 acc. to EN ISO 4064-1 $Q_3/Q_1 = 400$ On request, for example: ±0.5% of the measured value for flow rate 5 to 100% Q_4 ±0.2 % of the measured value for flow rate 10 to 100% Q_4

Outputs	
1 × Current output 4 to 20mA	Passive: electrically insulated from the ground and other outputs; $U_{extmax} = 30V$, $U_{extmin} = 8V$, $R_{zmax} = 800\Omega$, $R_{zmin} = 250\Omega$
2 x Multifunctional output	Passive: electrically insulated from the ground and other outputs; $U_{extmax} = 30V$, $I_{max} = 50mA$ Open collector Operational modes: Frequency: frequency range 0 to 10kHz, duty cycle 1:1 Pulse: Maximum frequency 100Hz Pulse length 1 to 999ms Selectable pulse number Output negation Binary: Exceeding limit values of measured quantities Error messages Output negation
Communication interfaces	<ul style="list-style-type: none"> RS-485 MODBUS RTU, electrically insulated from the ground and other outputs

Cables	
Data and power cables	Common cables for application in measurement and regulation systems Data cables: twisted pair of conductors, 90% shielding
Signal cable for remote meter version	Supplied with the meter: <ul style="list-style-type: none"> Sensor version of IP 67: maximum cable length 150 m Sensor version of IP 68: maximum cable length 150 m
Communication cable	Twisted pair of conductors with common shielding; bus-bar cable, type A according to standard EN 61158-2
Cable glands	Compact meter version: <ul style="list-style-type: none"> Transmitter: 2 pcs of glands M20x1.5 Remote meter version: <ul style="list-style-type: none"> Transmitter: 2 pcs of glands M20x1.5 Sensor connection box: 1 pc of gland M20x1

 ELIS PLZEŇ a. s.	Project design, installation and service manual	Page 47 of 72
	Electromagnetic flowmeter FLONET FH30xx	

9 CALIBRATION

9.1 *General*

The flowmeter is supplied verified as to its functions, calibrated and with parameters set according to the customer's requirements.

The measurement accuracy of the flowmeter in its standard form and configuration is guaranteed to meet the provisions of the international standard EN ISO 4064-1: **Water meters for cold drinking water and hot water**.

Unless agreed otherwise with the customer, the flowmeters are calibrated using the frequency output 0 – 10kHz.

Upon special requirement and agreement with the flowmeter manufacturer, the meter calibration may be carried out using alternative, i.e. pulse or current outputs.

The guaranteed measurement accuracy parameters shall always be related to the type of output which was used for the meter calibration. The remaining two types of output are recommended to be used for measurements with accuracy lower by 1 to 2% compared to that associated with the calibrated output. For inspection or comparison measurements at the customer's premises, or metrological verification of the meter parameters, the same type of electric output as that used for the initial calibration at the manufacturing plant shall be selected. Such measurements shall be performed under specified reference conditions.



At such measurements it is important to connect the hydraulic meter section (the sensor) into the hydraulic circuit on the test stand using connection elements (flanges, threaded fittings, fittings used in food-processing lines or others) of the same type, size and design as found on the meter sensor, to prevent occurrence of hydraulic disturbances that might significantly affect the meter measurement accuracy.

9.2 *Reference conditions*

Measured fluid: water, temperature 22°C ± 4K

Ambient temperature: 22°C ± 2K

Electrical conductivity of the measured fluid: > 300µS

Straight piping sections: ≥ 10DN before and 5DN after the flowmeter

Minimum medium pressure at the meter output: 1 bar

Time for the meter temperature stabilisation: > 30min

The sensor to be centred, grounded and supplied with power as required by the product manual

The meter shall be set for zero flow rate

9.3 *Measurement accuracy*

9.3.1 Flowmeter FLONET FH30xx – standard measurement accuracy

The meter accuracy shall meet the requirements of standard **EN ISO 4064-1** (Water meters for cold drinking water and hot water).

Definitions according to EN ISO 4064-1:

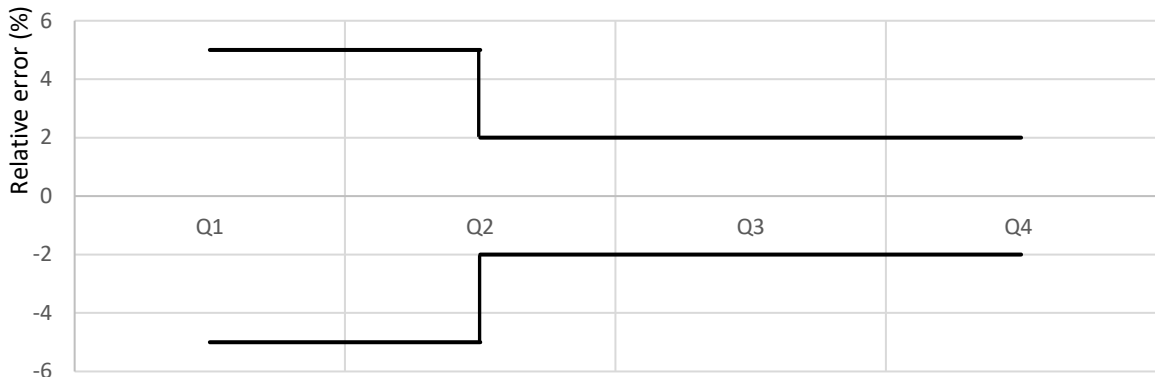
$$\frac{Q_4}{Q_3} = 1.25 \qquad \frac{Q_2}{Q_1} = 1.6$$

Q₄ flow rate for fluid flow velocity at the meter sensor of 10 m/s.

Q₁ flow rate for fluid flow velocity at the meter sensor of 0.025 m/s




Standard metrological parameters according to EN ISO 4064-1



Flow rates Q_1 , Q_2 , Q_3 and Q_4 for various meter sizes

Rated inner diameter DN	Overloading flow rate Q_4 (m ³ /h)	Continuous flow rate Q_3 (m ³ /h)	Transient flow rate Q_2 (m ³ /h)	Minimum flow rate Q_1 (m ³ /h)	Measurement range Q_3/Q_1
15	6.5	5	0.0208	0.0130	400
20	12	10	0.0384	0.0240	
25	18	14	0.0576	0.0360	
32	30	24	0.0960	0.0600	
40	45	36	0.1440	0.0900	
50	72	58	0.2304	0.1440	
65	120	96	0.3840	0.2400	
80	180	144	0.5760	0.3600	
100	280	224	0.90	0.56	
125	430	344	1.38	0.86	
150	650	520	2.08	1.30	
200	1 150	920	3.68	2.30	
250	1 800	1 440	5.76	3.60	
300	2 520	2 016	8.06	5.04	
350	3 500	2 800	11.20	7.00	
400	4 500	3 600	14.40	9.00	
500	7 200	5 760	23.04	14.40	
600	10 000	8 000	32.00	20.00	
700	14 000	11 200	44.80	28.00	
800	18 000	14 400	57.60	36.00	
900	23 000	18 400	73.60	46.00	
1000	28 000	22 400	89.60	56.00	
1200	40 000	32 000	128.00	80.00	

 ELIS PLZEŇ a. s.	Project design, installation and service manual	Page 49 of 72
	Electromagnetic flowmeter FLONET FH30xx	

9.3.2 Flowmeter FLONET FH30xx – increased measurement accuracy

For zero flow-rate setting and reference conditions:

Relative error		Flow rate range
±0.5%	of the measured value	5–100% Q ₄
±0.2%	of the measured value	10–100% Q ₄

Upon agreement with the manufacturer, flowmeters may be supplied with other (optional) accuracy parameters.

10 METER DESIGN DETAILS

10.1 *Transmitter*

Transmitter C14.00/C15.00 is fitted in a box made of aluminium alloy with removable front and rear covers. Behind the window in the front cover there is a backlit OLED display of 128x64 pixels. The flowmeter control is facilitated by optical buttons (optical reflex sensors) actuated by touching the respective spots on the front window.

The transmitter terminals can be accessed upon removal of the solid rear cover. When closed, the lid position is secured by means of an Allen bolt.

External cables can be brought into the terminal compartment via two glands accommodated in threaded holes M20 x 1.5. Should the meter configuration or higher number of output signals require so, inserted in the cable gland can be a sealing insert with more holes to hold the required number of cables.

i This sealing insert is not included among the standard meter accessories.

Located at the top of the transmitter box is a grounding bolt and a flat area intended for the flowmeter rating plate. The transmitter plate is attached to the rear cover on the transmitter housing.

The surface finish of the housing consists of powder paint coating.

The connections of the transmitter terminals are described in Chapter 5 (ELECTRICAL CONNECTIONS).


i **The transmitter for the compact meter version (including a sensor of protection class IP67)** is supplied with the signal cable attached.

The transmitter for the remote meter version (used in combination with a sensor of protection class IP 68) is provided with a connector for the signal cable connection. The other end of the signal cable is attached to the sensor where the terminals inside the hermetic connection box are embedded in an insulating compound.

10.2 *Sensor*

The induction sensor consists of a measuring tube made of non-magnetic steel with insulation lining, two measuring electrodes and, in some cases, one grounding electrode. Located outside the measuring tube is a winding the function of which is to generate electromagnetic field perpendicular to the measuring electrode axis. The excitation winding and measuring electrodes are protected by the sensor housing made of carbon or stainless steel. In its standard design version, the sensor is provided with flanges according to EN 1092-1 or ANSI B16.5. Upon agreement with the manufacturer, other types of flanges can be provided.

The sensor can also be supplied in all-stainless-steel design.

 ELIS PLZEŇ a. s.	Project design, installation and service manual	Page 50 of 72
	Electromagnetic flowmeter FLONET FH30xx	

Sensor for compact meter version

In compact meter version, the transmitter is attached to the meter sensor by means of a steel column with a stainless-steel flange. This flange is provided with two threaded holes to facilitate connections for potential equalising conductors.

Sensor for remote meter version

Sensor manufactured in the standard protection class IP 67 includes a terminal box. In the case of the sensor protection class IP 68, the signal cable conductors are permanently connected to the sensor terminals and the terminals inside the connection box are embedded in an insulation compound. The other end of the signal cable is provided with a connector facilitating connection to the meter transmitter.

The flowmeter component parts made of carbon steel are coated with polyurethane paint, the connection box with powder paint. The surface finish of all-stainless-steel sensor housing consists of shot blasting.

Attached to the sensor housings are sensor rating plate and an arrow indicating the positive fluid flow direction.

The connections to the sensor terminal box are described in Chapter 5 (ELECTRICAL CONNECTIONS).

10.3 Cable gland sizes

Compact meter version

- Transmitter terminal box is provided with 2 glands with threaded plugs M20x1.5

Remote meter version

- Transmitter: 2 pcs of glands M20x1.5
- Sensor terminal box: 1 pc of gland M20x1.5

10.4 Company seals

Electromagnetic flowmeters of the type series FLONET FH30xx are supplied calibrated, verified as to their functions and with parameters set according to the customer's order specifications. Upon completion of all fabrication and testing procedures, the meters are provided with the manufacturer's (company) seals.

Company seal

- Upon closing the meter transmitter housing, the front lid including a viewing window is secured against opening or removal by a self-adhesive company seal.
- In the cases of compact meter version, a self-adhesive company seal is applied onto the flanges connecting the meter transmitter and sensor.



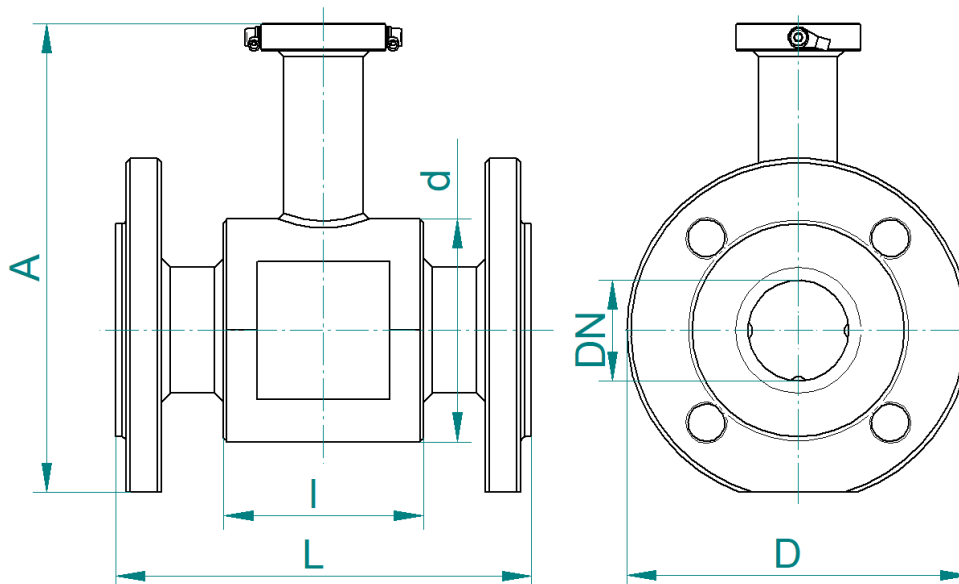
If a company seal is broken, the user will forfeit their right to warranty services, i.e. free-of-charge meter repair during the agreed product warranty period.

Assembly seal

Following electrical connection of the meter and closing the terminal compartment on the meter transmitter, the organisation responsible for the meter installation will secure the lid position by a self-adhesive seal.

10.5 Dimensions and weight

10.5.1 Sensor



10.5.1.1 Flanges according to EN 1092-1

Rated pressure	DN	D	d	A	L	I	Weight * (kg)
PN40	15	95	62	164	200	66	2.5
	20	105	62	170	200	66	3
	25	115	72	180	200	96	4.2
	32	140	82	197	200	96	6.2
	40	150	92	207	200	96	6.5
	50	165	107	225	200	96	8.6
PN16	65	185	127	245	200	96	10.4
	80	200	142	260	200	96	12.1
	100	220	162	280	250	96	15.5
	125	250	192	310	250	126	20.4
	150	285	218	344	300	126	25
	200	340	274	399	350	211	35
PN10	250	395	370	475	450	211	54
	300	445	420	525	500	320	65
	350	505	480	584	550	320	92
	400	565	530	642	600	320	112
	500	670	640	752	600	320	159
	600	780	760	870	600	320	315
	700	•	•	•	•	•	•
	800	•	•	•	•	•	•
PN6	900	•	•	•	•	•	•
	1000	•	•	•	•	•	•
	1100	•	•	•	•	•	•
	1200	•	•	•	•	•	•

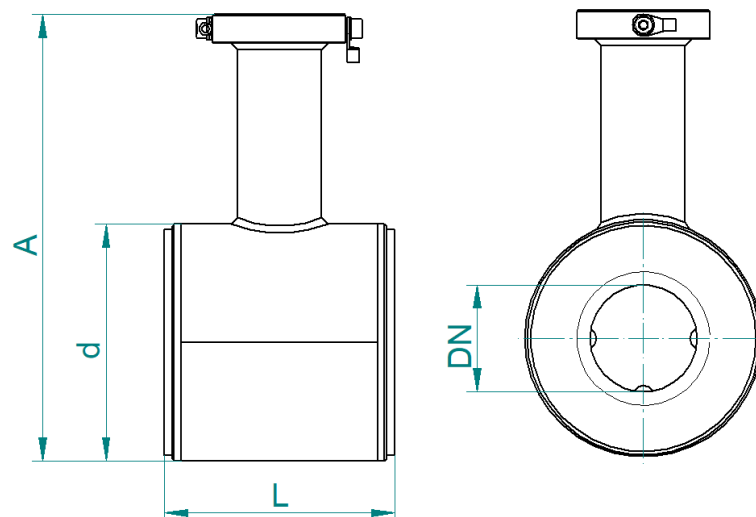
Comment: • Non-standard dimensions; parameters to be specified within the customer order processing
 * The weight data are of informative nature only

10.5.1.2 Flanges according to ASME B16.5

Rated pressure	NPS	D	d	A	L	I	Weight* (kg)
Class 150	1/2"	88.9	62	172	200	66	3
	3/4"	98.6	62	177	200	66	3
	1"	108	72	187	200	96	3
	1 1/4"	117.3	82	197	200	96	4
	1 1/2"	127	92	207	200	96	4
	2"	152.4	107	227	200	96	6
	2 1/2"	177.8	127	249	200	96	9
	3"	190.5	142	263	200	96	14
	4"	228.6	162	292	250	96	16
	5"	254	192	320	250	126	19
	6"	279.4	218	346	300	126	25
	8"	342.9	274	405	350	211	41
	10"	406.4	370	485	450	211	54
	12"	482.6	420	548	500	320	77
	14"	533.4	480	604	550	320	92
	16"	596.9	530	660	600	320	116
	18"	635	581	705	600	320	150
20"	698.5	640	766	600	320	167	
24"	812.8	760	883	600	320	315	

Comment: * The weight data are of informative nature only

10.5.1.3 Wafer sensor

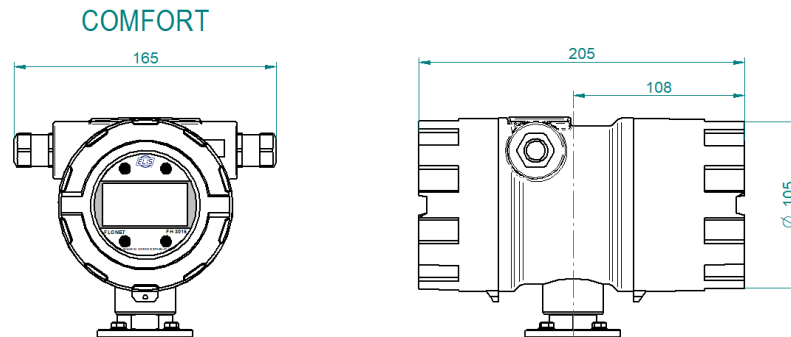


Rated pressure	DN	d	A	L	Weight* (kg)
PN40	25	72	163	104	1.5
	32	82	173	124	1.8
	40	93	184	124	2.4
	50	107	201	124	2.5
PN16	65	127	221	124	3
	80	142	236	124	3.7
	100	162	256	124	5.5
	125	192	286	154	6
	150	218	315	154	7.8
	200	274	371	219	13.5

Comment: * The weight data are of informative nature only

10.5.2 Transmitter

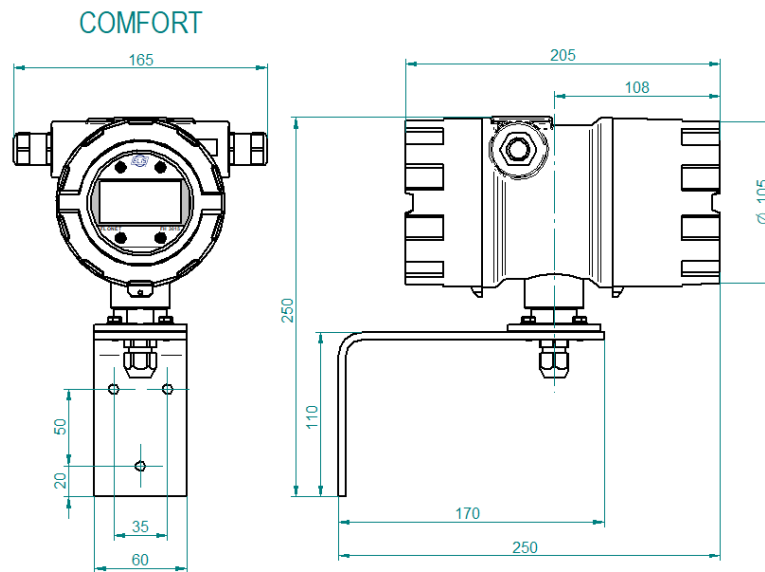
10.5.2.1 Transmitter for compact meter version



Transmitter weight: approx. 3kg

10.5.2.2 Transmitter for remote meter version – sensor protection class IP 67

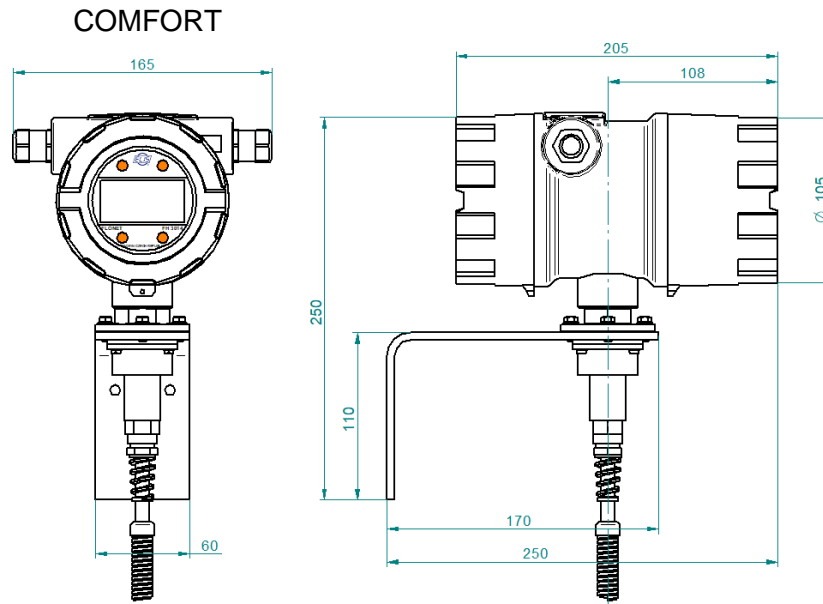
The signal cable is permanently attached to the transmitter



Transmitter including holder: approx. weight 4kg

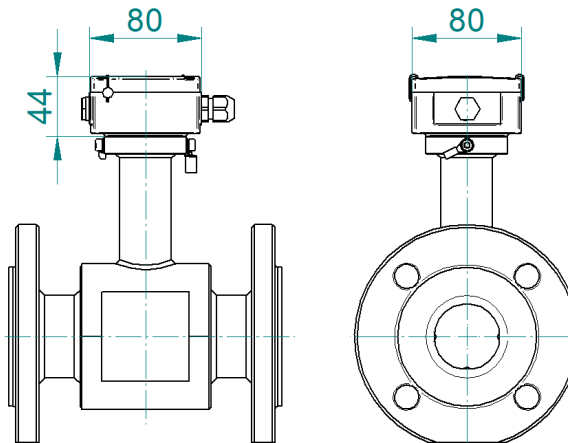
10.5.2.3 Transmitter for remote meter version – sensor protection class IP 68

Transmitter is provided with a connector facilitating the signal cable connection




Transmitter including holder: approx. weight 4kg

10.5.3 Sensor connection box



Connection box weight: 0.4kg

 ELIS PLZEŇ a. s.	Project design, installation and service manual	Page 56 of 72
	Electromagnetic flowmeter FLONET FH30xx	

11 FLOWMETER FAULTS

11.1 *General rules*

Prior to any flowmeter handling, it is necessary for the staff (of the user or servicing organisation) concerned to study carefully the product documentation.

The staff authorised to correct/repair flowmeter defects shall:

- Be duly qualified to perform repair of electronic equipment and measuring devices, and be certified for work on electrical equipment with rated voltage up to 1,000V according to Czech Regulation 50/1978 Coll. or a corresponding national standard in other countries;
- Be properly trained for repair of flowmeters of the type series FLONET FH under the authority of the meter manufacturer;
- Observe the relevant national regulations and standards applicable to work on electrical equipment with special regard to labour safety and health protection.



The meter manufacturer shall not be liable for any damage due to unprofessional conduct on the side of the user or their service organisation.

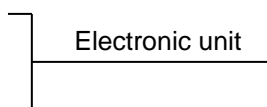
Some service actions require that the flowmeter or a part thereof be energised. Such actions shall be performed with due care to prevent the risk of electric shock.

11.2 *Spare PC boards and components*

To access PC boards installed in the meter transmitter housing, open the:

Front cover:

- Processor board
- Output board
- Measuring board
- Connector board
- Sub-panel board
- Display board



Rear cover:

- Power source board
- Terminal board

The processor, output and measuring boards are interconnected via the connector board to form the meter electronic unit.

11.3 *Software and simulation devices*

To check the functions and identify defects or faults in the FLONET flowmeter, the user will need:

- Design, installation and service Manuals:
 - Electromagnetic flowmeter FLONET FH30xx
 - Control of FLONET FH30xx and FLONEX FXx11x electromagnetic flow meters
 - FLOSET 4.0 User Guide
- FLOSET 4.0 communication software
- Configuration file * .flo
- Computer with Windows 7 or a higher OS upgrade (Linux, iOS) including JAVA 8u40 and higher
- USB/ RS-485 converter with connection cables
- Sensor SF1.0 simulator and connecting cable to FLONET FH and FLONEX FX;
- Fixture FLONET KV1.0 including a connecting flat cable

11.4 Fault identification

Make sure to de-energise the meter prior to starting any actions related to fault identification and repair, such as opening the transmitter housing, checking the power cable connections, disconnecting the meter sensor or removing PC boards from the transmitter housing.

Nevertheless, some operations require that parts of the meter or its PC boards remain live. In such cases proceed with utmost care to minimise the risk of electric shock.


Operational/functional tests on the flowmeter can be performed using the RS-485 MODBUS RTU serial communication line and program FLOSET 4.0.

To carry out any on-site meter repair actions the user will need a set of spare PC boards tested and pre-set at the manufacturing company. Such repair actions consist of replacement of the defective PC boards. If the given type of defect is associated with a malfunction of any specific PC board, the user may try to replace such board upon opening the respective cover of the meter transmitter.

The flowmeter software includes internal control and diagnostic algorithms the purpose of which is to identify meter defects and show the corresponding error code on the meter display.

Should the error code displayed imply a sensor defect, the sensor can be substituted by the sensor simulator SF1.0 (applicable to the remote meter version only).

Error code	Error description	Likely error cause and error removal procedure
E00	No error	-
E01	AD range overflow	Excessive flow rate (a short-term step change in flow rate from 0 to Q ₄). If the error condition is of a continuous nature, the fault will be in the measuring PC board.
E02	Flow-rate step change	See error code E01
E03	Memory read/write error	If RTC time error is too big, replace back-up battery on the processor board. Should this not help, replace electronic unit (the processor, output and/or measuring PC boards).
E04	Other types of electronic unit error	Should the error condition continue, replace electronic unit (the processor, output and/or measuring PC boards).
E05	Error message in cases where it is not possible to calibrate zero flow rate	Wait for a few seconds and repeat zero flow rate calibration. Should the error condition continue, replace electronic unit (the processor, output and/or measuring PC board).
E06	Low excitation current	Disconnected excitation circuit – defective sensor or broken connection between the transmitter and sensor. Defective measuring PC board. Should the error condition continue, replace electronic unit (the processor, output and/or measuring PC board).
E07	Shorted coil circuit	Short in excitation circuit – defective sensor or a short circuit in the connection between the transmitter and sensor. Check the conditions of signal cables. Replace sensor by sensor simulator SF1.0.
E08	Information – zero setting in progress, measurement discontinued	Flow measurement discontinued for one minute. Upon completion of the zero-setting procedure, this information message disappears from the display and measurement can continue.
E09	High resistance of measured fluid	Indication of a not fully-flooded piping condition.
E10	OUT1 output error	Output frequency in excess of 10kHz. pulse output frequency in excess of 100Hz. Time period between pulses is shorter than pulse length.
E11	OUT2 output error	See comments to error E09 related to the OUT2 output.
E12	Information on excessive current	Incorrect configuration of the current output. Current beyond the range of 4 to 20mA The output current does not correspond to the flow rate range.
E13	Incorrect time setting	Incorrect time setting following back-up battery replacement. Should the error condition continue, replace electronic unit (the processor, output and/or measuring PC board).
E14	Exceeding the value of the overload flow rate Q ₄	Check the setting of Q 100%. Should the error condition continue, replace electronic unit (the processor, output and/or measuring PC board).

 ELIS PLZEŇ a. s.	Project design, installation and service manual	Page 58 of 72
	Electromagnetic flowmeter FLONET FH30xx	

Extraordinary operational conditions of the flowmeter

At the time of the flowmeter commissioning, when the setting of the meter parameters with respect to the co-operating technology and/or the higher-level computer control system may still have to be optimised, it can happen that the meter behaviour is irregular.

Description	Likely cause	Corrective action
Unintelligible text on the display	Display or processor board fault	Switch off and on the meter power; if it does not help, follow the standard meter repair procedure (replace processor board or display)
Meter including display is functioning well, the meter menu control does not work	Incorrect procedure in working with the optical reflex sensors.	See the manual: touch just one optical sensor at a time.
The measured values of instantaneous flow rates fluctuate excessively including drops to zero flow rate	Imperfect transmitter or fluid grounding. In cases of remote meter version, signal interference. Loose signal cable. Power line interference. Excessive content of air bubbles or solid particles in measured fluid.	In reference to the manual, check potential equalisation connections and sensor and fluid grounding. Connect a line voltage filter. Eliminate the effects of external interference sources. Check the correct sensor installation in the target technology. Replace sensor by sensor simulator (remote meter version only). Prevent aeration of the fluid in piping.
Meter is apparently fully functional but it does not perform measurements	Fluid conductivity too low.	Check the fluid conductivity, consult the problem with the product manufacturer.

11.5 Meter repair procedures


If the flowmeter is not functioning as it should, where:

- No data appear on the display;
- Connection via the RS-485 communication line does not work; and/or
- Meter outputs (current, frequency and pulse outputs) are not activated, check the meter power source and power supply connections.

The power supply terminals and connections can be accessed upon removal of the rear cover on the transmitter housing.

Procedure

1. Switch off the meter power source.
2. Release the Allen bolt securing the closed position of the rear cover on the transmitter housing.
3. Remove the rear cover on the transmitter housing.
4. Check the tightness of the power supply cable conductor connections in the respective terminals.
5. Switch on the meter power source.

 ELIS PLZEŇ a. s.	Project design, installation and service manual	Page 59 of 72
	Electromagnetic flowmeter FLONET FH30xx	



Warning: risk of electric shock

6. Check the live condition of the transmitter terminals and the value of the power supply voltage.
7. If the line voltage is within the required range (consult the product manual) and the error condition still prevails, check the condition of fuse F1 5 x 20mm on the terminal plate.
Fuse specifications according to the manual
 - AC power source: T 1.25A/250V, breaking capacity 1500A/250V
 - DC power source: T 2A/250 V



When checking the fuse condition, observe the standard rules applicable to repair of electronic equipment and measuring devices – remove the fuse from its holder only after switching off the meter power supply.

8. If fuse F1 is in order or if upon its replacement the error condition still exists, dismantle the terminal board and remove the power supply board located underneath.
9. Loosen three bolts M4 and take away the terminal board. Unscrew distance columns M4 x 25 and remove the power supply board from the transmitter housing.
10. Connect both PC boards (the power-supply and terminal boards) removed from the transmitter housing. Bring the external power supply voltage (AC or DC, as the case may be) to the terminal board.

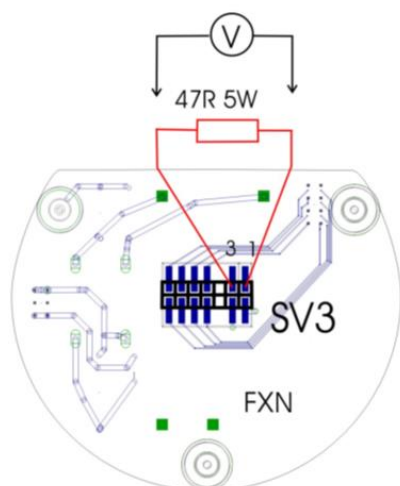


Warning: risk of electric shock

Check on the power supply board

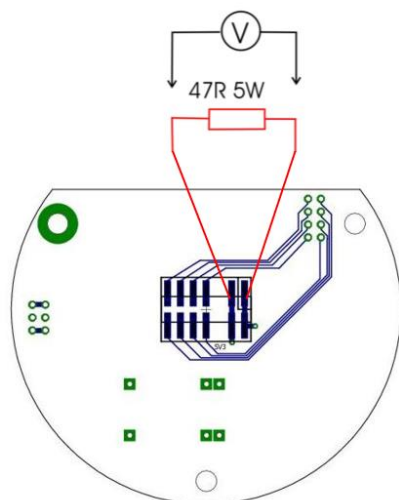
AC power supply 95 to 250VAC

Connect loading resistor 47R to the connector terminals shown in the picture below. After five minutes, the voltage across this resistor shall be in the range of 14.7 to 15.3V. Should it not be so, the power supply board is defective and it shall be replaced.



DC power supply 19.2 to 28.8VDC

Connect loading resistor 47R to the connector terminals shown in the picture below. After five minutes, the voltage across this resistor shall be in the range of 14.7 to 15.3V. Should it not be so, the power supply board is defective and it shall be replaced.



If the power supply section is in order, the cause of the error should be sought in the meter circuits on the PC boards located under the front cover of the transmitter housing.

Procedure

1. Switch off the meter power source.
2. Release the Allen bolt securing the closed position of the front cover on the transmitter housing.
3. Remove the front cover on the transmitter housing.
4. Loosen four bolts M2.5 and take away the cover panel on the display. Remove the display board from the transmitter housing by carefully displacing it in the direction of the transmitter axis.
5. In cases of defective display, replace the display board and check its correct function.
6. Should the error condition continue even after the power circuit and display unit checks, proceed with replacement of the electronic unit. Unscrew four distance columns M4 x 10 and remove and replace the electronic unit (consisting of the processor, output and measuring PC boards mutually interconnected by the connector board). Verify the flowmeter functions.




Upon the meter re-installation, tighten the bolts on the transmitter and sensor covers using the torque not exceeding 8Nm.



Upon replacement of the electronic unit it is not necessary to repeat the meter calibration procedure.
Using the FLOSET 4.0 software, restore the original setting of the meter parameters.

Should you fail to rectify the meter defect using the above procedures, contact the authorised flowmeter service centre or directly the meter manufacturer.

 ELIS PLZEŇ a. s.	Project design, installation and service manual	Page 61 of 72
	Electromagnetic flowmeter FLONET FH30xx	

12 MAINTENANCE

The FLONET FH30xx flowmeter does not require any special maintenance. During regular product inspections, apart from visual check on the mechanical integrity and absence of signs of damage to the external meter parts, it is recommended to check the tightness of cable glands and grounding terminals.

Transmitter

The transmitter housing exterior is coated with a layer of powder paint. For cleaning, use standard procedures applicable to maintenance of measuring devices.



When cleaning the viewing window and rubber seals, avoid application of abrasive cleaning agents.

Sensor

To clean the sensor surface, use standard procedures applicable to maintenance of measuring devices. The PIGS method (mechanical cleaning) is not permitted for maintenance of the inner parts of the sensor as it implies a risk of damage to the sensor lining and measuring electrodes. The inner surfaces of a dismantled sensor should be cleaned using a piece of cloth or brush and a cleaning agent with degreasing and mild abrasive effects (for example a liquid cleaning cream).

13 SERVICES

General principles

Prior to leaving the meter for service with the meter manufacturer or an authorised service centre, the product shall be thoroughly decontaminated.

Representation on product decontamination

In observance of the applicable environment conservation, labour safety and health protection regulations, attached to any requirement for meter repair shall be a **representation in writing on the meter decontamination**. A recommended form to be used for these purposes is included in this manual (see Chapter 17).

Any costs of the meter decontamination needed to be performed at the manufacturer's laboratories shall be invoiced to the customer concerned.



A meter that cannot be decontaminated shall not be sent away for any service action.

14 WARRANTY


14.1 *Warranty services*

Warranty services consist of product maintenance or repair actions carried out free of charge within the agreed warranty period by the product manufacturer or a duly authorised manufacturer's partner organisation.

A warranty repair action is product repair carried out free of charge within the agreed warranty period where the product fault concerned has been caused by defective material, meter component part or workmanship.

Should the product fault as of the preceding paragraph be found irreparable, the product will be replaced at no cost to the customer.

Warranty services may only be performed by the product manufacturer, their duly authorised service centre or an authorised distributor who may prove their qualifications by a licence in writing received after thorough training at the manufacturer's plant.

 ELIS PLZEŇ a. s.	Project design, installation and service manual	Page 62 of 72
	Electromagnetic flowmeter FLONET FH30xx	

Excluded from warranty services shall be:

- Products with broken company seals;
- Products with defects caused by incorrect installation or electric connection;
- Transmitters damaged due to incorrect electric connection;
- Defects caused by non-standard meter application;
- Defects due to mechanical damage;
- Defects caused by force majeure or natural disaster;
- Alienated products.

Any warranty service or repair claims shall be communicated to the manufacturer **in writing** (by E-mail, fax or registered post).

The manufacturer should reject a warranty claim. Such position shall be made known to the customer **in writing** whereby the repair costs will be invoiced to the customer.

14.2 Post-warranty services

Post-warranty services consist of any product maintenance or repair actions related to conditions and/or defects occurring upon expiry of the agreed warranty period. Any such action irrespective of the location where it is to be carried out and whether performed by the manufacturer or their duly authorised partner organisation, shall be invoiced to and paid for by the customer.

Post-warranty product service or repair requirements shall be communicated to the manufacturer **in writing** (by E-mail, fax or registered post).

15 ORDER NUMBER



- In specifying the product order number refer to the information in Section 3.6 (Sensors for flowmeter FLONET FH30xx: review of design and material versions).
- The Q value used in meter output parameter setting is equal to Q₃ as specified in standard EN ISO 4064-1.

Ordinal numbers of the order number digits		1	2	3	4	5	6	-	7	8	9	10	11	
ORDER NUMBER		F	H	3	0	x	x							
METER TYPE DESIGNATION														
Sensor type	Non-standard						0							
	Flanged						1							
	Wafer from DN25 up to DN200						2							
Design version	Compact COMFORT								4					
	Remote COMFORT								5					
TECHNICAL PARAMETERS														
		EN	ASME											
Sensor size	DN15	NPS 1/2"							0	1				
	DN20	NPS 3/4"							0	2				
	DN25	NPS 1"							0	3				
	DN32	NPS 1 1/4"							0	4				
	DN40	NPS 1 1/2"							0	5				
	DN50	NPS 2"							0	6				
	DN65	NPS 2 1/2"							0	7				
	DN80	NPS 3"							0	8				
	DN100	NPS 4"							0	9				
	DN125	NPS 5"							1	0				
	DN150	NPS 6"							1	1				
	DN200	NPS 8"							1	2				
	DN250	NPS 10"							1	3				
	DN300	NPS 12"							1	4				
	DN350	NPS 14"							1	5				
	DN400	NPS 16"							1	6				
	DN500	NPS 20"							1	7				
	DN600	NPS 24"							1	8				
	DN700								1	9				
	DN800								2	0				
DN900								2	1					
DN1000								2	2					
DN1200								2	3					
	Non-standard									x				
Sensor flanges	EN 1092-1											1		
	ASME B16.5											2		
	Non-standard											x		
Sensor material and surface finish	Housing and flanges made of carbon steel, polyurethane coating													1
	All-stainless-steel 1.4301													2
	Non-standard													x
Electrode and grounding ring material	Stainless steel 1.4571													1
	Hastelloy C-276													2
	Titanium													3
	Tantalum													4
	Platinum and rhodium													5
	Non-standard													x



Ordinal numbers of the order number digits		12	13	14	15	16	17	19	20	-	21
ORDER NUMBER											
Sensor lining	Hard rubber for DN25– N1200	1									
	Soft rubber for DN25–DN1200	2									
	Hard rubber for drinking water DN40–DN1200	3									
	PTFE DN15–DN1200	4									
	E-CTFE DN300–DN1200	5									
	Non-standard	x									
Sensor protection class	Standard IP 67	1									
	Improved IP 68	2									
Fluid grounding	Grounding on piping			1							
	Grounding rings			2							
	Grounding electrode			3							
Rated pressure	EN ASME PN 6				1						
	PN 10				2						
	PN 16				3						
	PN 40				4						
	Class 150				5						
Maximum temperature of measured fluid (°C)	50					1					
	80					2					
	110					3					
	120					4					
	150					5					
	Non-standard					x					
Connecting cable length (m) for remote meter version	3						1				
	6						2				
	10						3				
	15						4				
	25						5				
	Non-standard						x				
Power source	95–250VAC, 45–65Hz							1			
	24V ± 20% (19.2–28.8VDC)							2			
Transmitter protection class	Standard IP 67								1		
	Improved IP 68								2		
MEASURED FLUID											
Type of fluid	Water										1
	Non-standard										x



Ordinal numbers of the order number digits		-	21	22	23	24	25
ORDER NUMBER							
FLOWMETER SETTING							
Pulse number (l/pulse)	0.001		1				
	0.01		2				
	0.1		3				
	1		4				
	10		5				
	100		6				
	1000		7				
	10000		8				
	Non-standard		x				
Fluid volume units	l			0	1		
	m3			0	2		
	gal			0	3		
	imp gal			0	4		
	bbbl			0	5		
	bush			0	6		
	yd3			0	7		
	ft3			0	8		
	in3			0	9		
	bbblLiq			1	0		
	hl			1	1		
Flow rate units	l/sec					0	1
	l/min					0	2
	l/h					0	3
	Mil L/day					0	4
	m3/s					0	5
	m3/min					0	6
	m3/h					0	7
	m3/day					0	8
	ft3/s					0	9
	ft3/min					1	0
	ft3/h					1	1
	ft3/day					1	2
	gal/s					1	3
	gal/min					1	4
	gal/h					1	5
	gal/day					1	6
	MilGal/day					1	7
	bbbl/s					1	8
	bbbl/min					1	9
	bbbl/h					2	0
	bbbl/day					2	1
ImpGal/s					2	2	
ImpGal/min					2	3	
ImpGal/h					2	4	
ImpGal/day					2	5	




Ordinal numbers of the order number digits		26	27	28	29	30	31	32
ORDER NUMBER								
Number of samples to be averaged	25	1						
	50	2						
	100	3						
	150	4						
	200	5						
	250	6						
	Non-standard	x						
Measurement insensitivity	Standard $\pm 0.5\% Q_3$	1						
	Non-standard	x						
Language	Česky		0	1				
	English		0	2				
	Dutch		0	3				
	Español		0	4				
	Polski		0	5				
	Français		0	6				
	Italiano		0	7				
	Deutsch		0	8				
	По Русски		0	9				
	Português		1	0				
Data on display	Aggregate volume					1		
	Time / date					2		
	Operating time					3		
	Excitation current					4		
	Flow rate in per cent					5		
	Last error					6		
Flow rate 100% (l/s)	Flow rate for Q_3 ($Q_3 = Q$ for $v = 8$ m/s)					1		
	Order-specified flow rate					x		
Current output	Not requested							1
	$-Q \dots +Q$ ($Q = Q_3$, $Q_3 = Q$ for $v = 8$ m/s)							2
	$-Q \dots +Q$ according to order							3
	$0 \dots Q $ ($Q = Q_3$, $Q_3 = Q$ for $v = 8$ m/s)							4
	$0 \dots Q $ according to order							5
	Fixed current 4 to 20mA (0 to Q_3 , $Q_3 = Q$ for $v = 8$ m/s)							6
	Fixed current 4 to 20mA according to order							7




Ordinal numbers of the order number digits		33	34	35	36	37	38		
ORDER NUMBER									
Output OUT1	Not requested	0	1						
	$Q_3 = Q$ for $v = 8 \text{ m/s}$	Frequency Q+	0 to 10kHz ... 0-Q ₃	0	2				
		Frequency Q-	0 to 10kHz ... 0-Q ₃	0	3				
		Frequency Q	0 to 10kHz ... 0-Q ₃	0	4				
		Non-standard: Q ≠ Q ₃		0	5				
		pulses for Q+	Pulse length 5ms,	0	6				
		pulses for Q-	Minimum gap length 5ms,	0	7				
		Pulses for Q	Pulse number: see Section 5.6	0	8				
		Non-standard pulses, pulse number		0	9				
		Q > Q lim	Q lim = Q ₃ , OUT1 = on	1	0				
		Q > Q lim	Q lim = Q ₃ , OUT1 = on	1	1				
		No error conditions	OUT1 = on	1	2				
		Permanently closed	OUT1 = on	1	3				
		OUT1 function	Positive					1	
			Negative					2	
Output OUT2	Not requested			0	1				
	$Q_3 = Q$ for $v = 8 \text{ m/s}$	Frequency Q+	0 to 10kHz ... 0 to Q ₃		0	2			
		Frequency Q-	0 to 10kHz ... 0 to Q ₃		0	3			
		Frequency Q	0 to 10kHz ... 0 to Q ₃		0	4			
		Non-standard: Q ≠ Q ₃			0	5			
		Pulses for Q+	Pulse length 5ms,		0	6			
		Pulses for Q-	Minimum gap length 5ms,		0	7			
		Imp. for Q	pulse number: see Section 5.6		0	8			
		Non-standard pulses, pulse number			0	9			
		Q > Q lim	Q lim = Q ₃ , OUT2 = off		1	0			
		Q > Q lim	Q lim = Q ₃ , OUT2 = on		1	1			
		No error conditions	OUT2 = off		1	2			
		Permanently closed	OUT2 = on		1	3			
		OUT2 function	Positive					1	
			Negative					2	



Ordinal numbers of the order number digits	39	40	41	42	43	44	-	45
ORDER NUMBER								
COMMUNICATION								
RS-485 MODBUS RTU								
Address	1	0	0	1				
	2	0	0	2				
	3	0	0	3				
				
				
	247	2	4	7				
Speed (Baud)	300				1			
	600				2			
	1200				3			
	2400				4			
	4800				5			
	9600				6			
	19200				7			
	38400				8			
	56800				9			
HART®	Not required					1		
	yes					2		
FLOSET 4.0 S/N accessories							1	
							2	
CALIBRATION								
Calibration	No calibration							1
	Standard accuracy acc. to EN ISO 4064-1, class 2							2
	Higher accuracy, $\pm 0.5\%$ / $\pm 0.2\%$, see Section 9.3.2							3
	No calibration report issued							
	Higher accuracy, $\pm 0.5\%$ / $\pm 0.2\%$, see Section 9.3.2							4
	Including calibration report							
	Non-standard calibration							x

 ELIS PLZEŇ a. s.	Project design, installation and service manual	Page 69 of 72
	Electromagnetic flowmeter FLONET FH30xx	

Ordinal numbers of the order number digits		-	46	47	48	-	49
ORDER NUMBER							
COMMERCIAL TERMS AND CONDITIONS							
Packaging	No packaging		1				
	Standard		2				
	For export		3				
	Non-standard		x				
Delivery	Personal collection			1			
	Forwarding company at supplier's costs			2			
	Forwarding company at customer's costs			3			
	Non-standard			x			
Warranty	6 months				1		
	12 months				2		
	18 months				3		
	24 months				4		
	36 months				5		
	Non-standard				x		
DOCUMENT IDENTIFICATION							
File number	Es 90678K Flowmeter manual						1

 ELIS PLZEŇ a. s.	Project design, installation and service manual	Page 70 of 72
	Electromagnetic flowmeter FLONET FH30xx	


16 ASSOCIATED DOCUMENTS AND STANDARDS

Standards

EN ISO 6817	Flow rate measurement of conductive liquids in closed profiles – Measuring method using electromagnetic flowmeters
EN 29104	Flow rate measurement of liquids in closed profiles
EN ISO 4064-1	Water meters for cold drinking water and hot water
EN 1092-1	Flanges and flanged connections
ASME B16.5	Pipe flanges and flanged fittings
EN 13480	Metal pipes for industrial application
EN 61010-1	Electrical measuring, control and laboratory equipment; safety requirements
EN 60664-1	Low voltage equipment insulation co-ordination

Manuals

Es 90684K	Communication interface RS-485 MODBUS RTU Electromagnetic flowmeters FLONET FH30xx and FLONEX FXx11x
Es 90686K	Electromagnetic flowmeters of the type series FLONEX FXx11x and FLONET FH30xx Meter control instructions


 ELIS PLZEŇ a. s.	Project design, installation and service manual	Page 71 of 72
	Electromagnetic flowmeter FLONET FH30xx	

17 ANNEXES

17.1 *Representation on meter decontamination*

Representation on decontamination

CUSTOMER	ADDRESS	
	Name	Telephone
FLOWMETER TYPE	Delivery date	Delivery note
Production serial number		
MEASURED FLUID		
FLUID PROPERTIES AND ASSOCIATED RISKS		
Toxic		Implying biological hazard
Corrosive		Caustic agent
Flammable		Detrimental to environment
Other types of risk		
The sensor cavities have been emptied and cleaned		
Meter surface is free of fluid traces		
Residual contamination	Yes	
	No	
METER HANDLING SAFETY PRECAUTIONS AND PROTECTIVE EQUIPMENT		
Protection gloves		
Protection glasses		
Protection face shield		
Respirator		
Protection clothing		
Fume chamber		
Safety precautions:		
<p>We confirm that the flowmeter has been properly decontaminated. Provided the above safety precautions are observed and the recommended protective equipment used, the flowmeter handling will not constitute any risk to health or environment.</p>		
Date	Place	Signature

 ELIS PLZEŇ a. s.	Project design, installation and service manual	Page 72 of 72
	Electromagnetic flowmeter FLONET FH30xx	

Manufacturer's address:

ELIS PLZEŇ a.s.
Luční 425/15,
301 00 Plzeň
Czech Republic
Telephone: +420/377 517 711
Fax: +420/377 517 722
E-mail: sales@elis.cz
<http://www.elis.cz>

Issue No.1